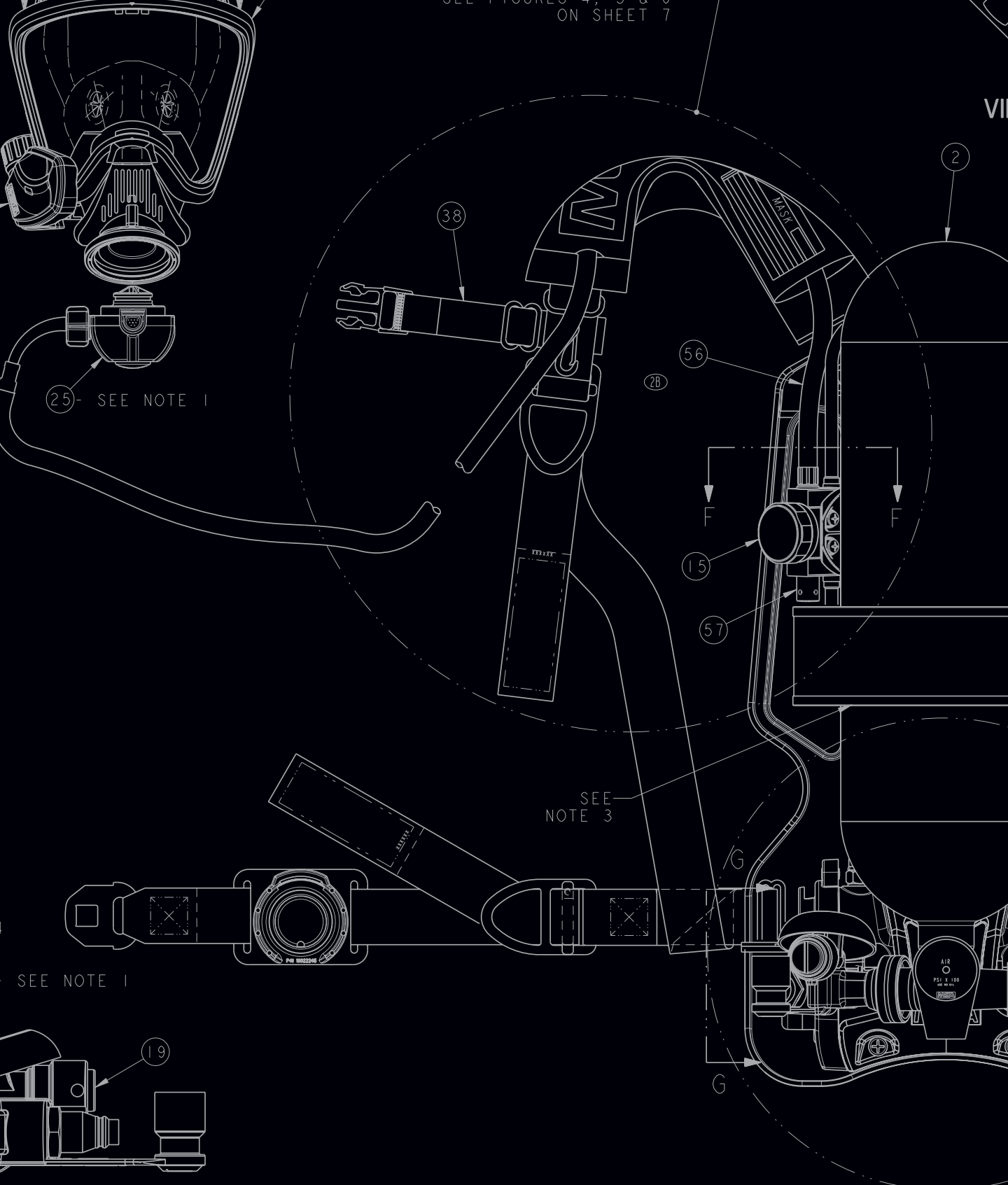




MS

MSA
FIREHAWK® M7
AIR MASK



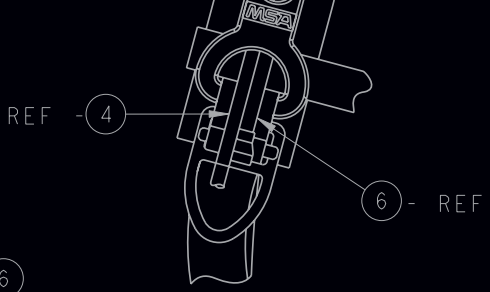
EW G-G

FireHAWK® M7

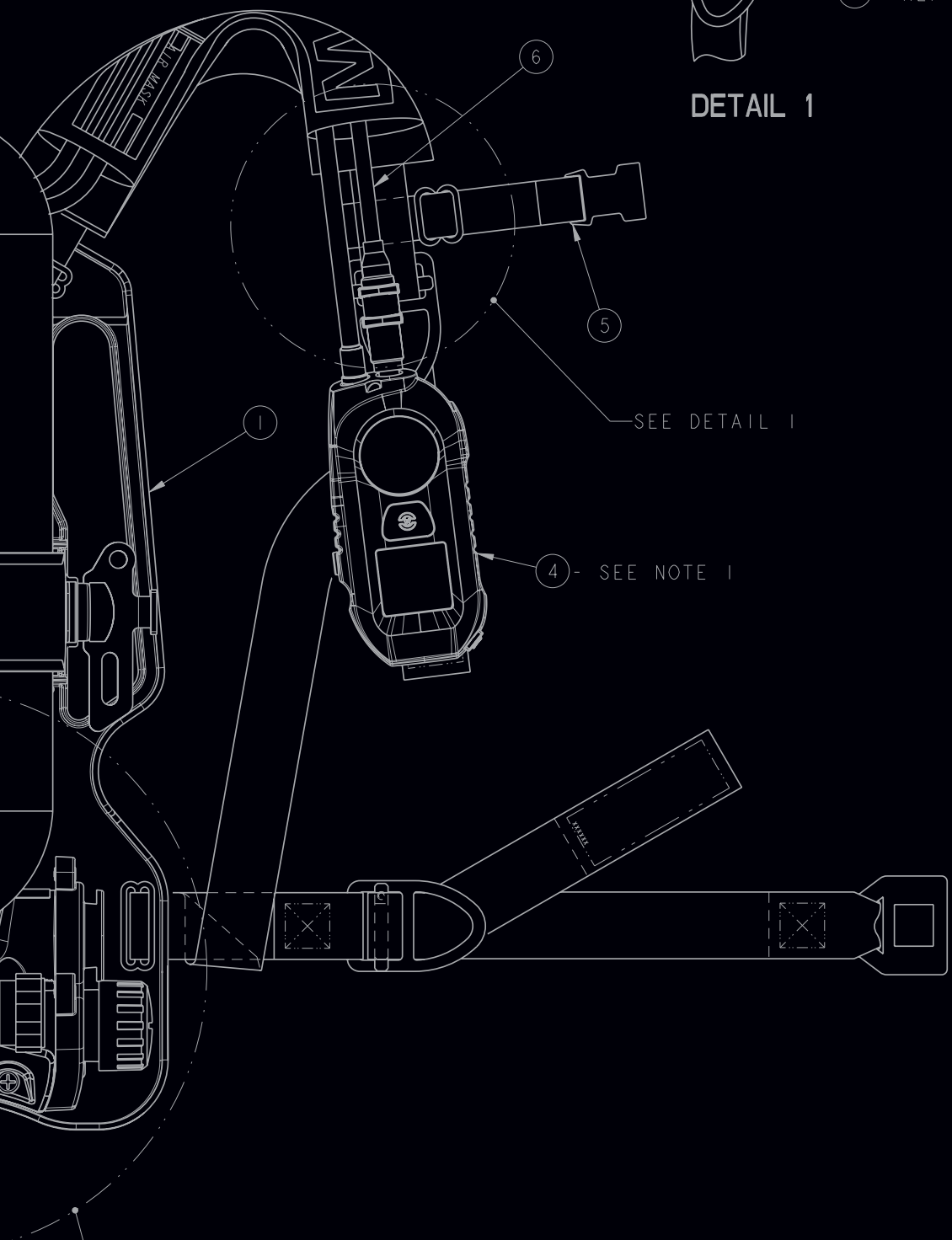
FIGURE 3



EW F-F



DETAIL 1



SEE FIGURE 17
IN SHEET 10

Air Mask

WHAT'S IN THIS AIR MASK

One-way
inhalation
check valve



M7 Control Module w/
accelerometer motion
digital and mechanic
pressure display time
remaining, and therm

Wide-view lens with Kevlar
Speed-ON® Head Harness

Wireless M7 HUD
with auto dim and
buddy light



High-performance me
speaking diaphragm



High-visibility reflective panels

FireHawk M7 Carrier and Harness Assembly with side handles and carabiner attachment

PR14™ First-Stage Regulator with only 14 internal parts

ExtendAire™ Emergency Breathing System

Parachute-style buckles

with
n sensor,
al
e
al alarm

Double-pull Kevlar waist belt

Firehawk® MMR Regulator

mechanical



Luminescent cylinder band

Optional chest strap

Stainless steel cylinder band with secure cam-lock system

Lumbar pad

PASS Alarm Dual Sound Emitters

Quick-Fill® URC with Audi-Larm™ Audible Alarm

LED buddy lights





Designed to meet the new NFPA 2007-edition standard. Determined to exceed your safety equipment expectations!

Through the NFPA, firefighters have strived to improve the durability and performance of SCBA and PASS devices.

To this end, the new NFPA 2007-edition standards for self-contained breathing apparatus and personal alert safety systems call for a PASS alarm that performs at 500° F, electronics that remain waterproof after six immersion cycles at 1½ meters depth and a 350°F heat exposure, and electronics that function after a rigorous 3-hour tumble test. They also raised the bar on voice communication capability, now requiring a minimum score of 85% at a 10-ft distance (allowing an electronic or mechanical system). (Previously this was 72% at 5 feet.)

MSA's new **FireHawk M7 Air Mask** represents a true technological achievement in critical personal protection. As firefighters determined the safety requirements that would be needed to meet the new NFPA 1981 and 1982–2007-edition standards, MSA's engineering teams began designing the solutions.

The new FireHawk M7 Air Mask emerged with seven **life-safety** design components built on a **modular** Air Mask platform, developed to **exceed the new NFPA 2007** requirements and provide firefighters with the highest-quality SCBA currently available.

1. TAKING THE HEAT

Although MSA PASS alarms have performed in extreme temperatures for more than a decade, a top priority was to design an alarm that could **really take the heat!** The new M7 alarm (*patent pending*) was developed in cooperation with prominent university acoustic experts, resulting in an emitter that exceeds 95 decibels with solid performance at the NFPA 500°F test! In fact, the M7 PASS Alarm gets louder with heat – once again, giving you that lifesaving edge in the face of danger.*



2. VIRTUALLY "BULLET-PROOF" ELECTRONICS

Like an armor shield, the M7 HUD, Power Module, and Control Module are encased in a proprietary high-temperature impact-grade polymer, providing the highest possible protection against impact and water ingress. Electronics enclosures are permanently sonically **welded** to a hermetic standard and use a high-pressure O-ring to ensure a consistent water-tight seal. The new M7 electronics are virtually **"bullet-proof"** against fireground hazards.



3. STRAIGHT-TALK COMMUNICATIONS

We've got you covered with communications, starting with a **high-performance mechanical speech diaphragm**, with performance that exceeds the new NFPA requirements as a stand-alone solution. Backing the mechanical diaphragm is an **electronic amplifier** with an internal facepiece microphone for ultimate clarity. The ClearCommand® Communication System provides clear communication during the most critical times. This Air Mask speaks loud and clear when it comes to communications.



* Be sure to see the MSA White Paper on Sound-Level Performance of PASS Devices (ID 0107-22-MC)



4. FIREGROUND MANAGEMENT

Firefighter accountability systems have never before been as practical, complete, and user-friendly as the MSA **Accountability System**. It's based on the ICM® TxR Unit introduced in mid-2006, which has thousands of systems deployed in virtually every type of fire department, and they're performing phenomenally! It displays a full array of visual and audible information for up to 100 firefighters within a one-mile-line-of-site – exactly what incident commanders wanted. Record-keeping is also made easy by downloading reports. This crown jewel is available only from MSA!



5. EXTENDED PROTECTION

The new FireHawk M7 Air Mask is not your typical SCBA. Firefighters need to be prepared for the unexpected, and emergency egress from a second floor or higher can be impossible without the right safety equipment. That's why the new M7 Air Mask offers an NFPA-compliant integrated rappelling system, called the Rescue Belt, providing firefighters with one more lifesaving option in the face of danger.



"Above and beyond" protection is also provided with the CBRN FireHawk MMR. The CBRN FireHawk includes a positive-protection Tetraplex™ shield, to prevent contact between chemical warfare agents and the most vulnerable component of regulators, the thin elastomeric diaphragm. Other "air-wash" approaches may pass in laboratory conditions. This shield provides positive protection against all potential conditions.



External hazards are bad enough without having concerns of spreading illness among firefighters through shared-use SCBA. The Ultra Elite® facepiece protects you against user cross-contamination with MSA's inhalation check-valve: a **"must have"** in modern safety equipment.

6. LIGHTWEIGHT AND EASY TO USE

Firefighters already have enough weight to carry and gear to maintain, so MSA engineers set out to lighten the load of components, reduce parts counts, **simplify maintenance**, maximize user comfort, and **modularize** the design.

The FireHawk M7 Air Mask has a lightweight polymer backplate, with quick-release harness straps, an error-proof cam-lock cylinder attachment, fast change-out electronic components, a large swiveling lumbar pad, and regulators that will fit in the palm of your hand (**less than 30 parts** for the MMR and 14 for the 1st stage). Our time-tested Ultra Elite facepiece has unbeatable comfort, visibility, communications, cross-contamination protection, fit, and seal.



7. PLATFORM FOR THE FUTURE

The FireHawk M7 Air Mask is designed to accept **future technology upgrades**. Included in every M7 electronics ensemble is a 2.4GHz **personal wireless network**, a network that transmits and receives encrypted information over a short range on a firefighter's body. This new wireless feature provides the capability to add on future technology that can provide additional information back to incident command through the Accountability System. Software can also be upgraded wirelessly in the field, through the M7 wireless network. You never have to worry about radio interference either – we have you covered with a thoroughly-tested RFI shield design that protects against all fireground radio signals. The new FireHawk M7 Air Mask provides you with the best technology today and positions you for well into the future.



ORDERING INFORMATION: FACEPIECE ASSEMBLIES FOR FIREHAWK M7 AIR MASKS

<i>Ultra Elite M7 Facepiece, Speed-ON Head Harness, Nosecup and M7 HUD Bracket</i>					
Firehawk STC			Firehawk PTC		
	Standard speaking diaphragm	ClearCommand ready		Standard speaking diaphragm	ClearCommand ready
Small	10084689	10084821	Small	10084690	10084822
Medium	10084823	10084825	Medium	10084824	10084826
Large	10084827	10084829	Large	10084828	10084830

<i>Spare / Replacement M7 HUD</i>		<i>APR Adapter</i>	
M7 HUD	M7 HUD with bracket	Firehawk STC	Firehawk PTC
10091446	10091447	10091446	10091447

<i>ClearCommand® Communications System for Ultra Elite® Facepieces</i>	
Amplifier Kit, complete with microphone	10024074
Replacement amplifier unit	10023056
Amplifier Radio Interface Kit, complete with microphone	10051290
Replacement Amplifier Radio Interface unit	10051289

<i>ClearCommand® Communications System for Ultra Elite® Facepieces</i>	
Quick-Fill 3-foot emergency transfill hose in Kevlar pouch	485366
ExtendAire hose and pouch	812973
ExtendAire air-line hose kit	812958

<i>Rescue Belt</i>	
Rescue Belt, 50 foot Kevlar line, standard belt (56")	10052766
Rescue Belt, 50 foot Kevlar line, mid-size belt (66")	10071003
Rescue Belt, 50 foot Kevlar line, long belt (76")	10052767
Rescue Belt, 75 foot Kevlar line, standard belt (56")	10052768
Rescue Belt, 75 foot Kevlar line, mid-size belt (66")	10071004
Rescue Belt, 75 foot Kevlar line, long belt (76")	10052769

<i>Rescue Belt</i>	
Low-Pressure (2216 psig)	
RescueAire II, Firehawk STC MMR with L-30 Cylinder	10041196
RescueAire II, Firehawk PTC MMR with L-30 Cylinder	10041230
High-Pressure (4500 psig)	
RescueAire II, Firehawk STC MMR with H-60 Cylinder	10041195
RescueAire II, Firehawk PTC MMR with H-60 Cylinder	10041199

ORDERING INFORMATION

Carbon-Wrapped Cylinders

A unique outerwrap made of lightweight, high-performance carbon fibers, which reduces cylinder weight by two to six pounds when compared to fiberglass-wrapped cylinders and as much as ten pounds when compared to aluminum cylinders. They are available in six models to accommodate a wide range of applications.

Cylinder Type (Cylinder & Valve)	NIOSH Service Rating Life	Pressure (psig)	Weight* (empty)	Part No.
L-30	30'	2216 psig	8 lbs. – 0 oz.	807586
L30+	30'	3000 psig	9 lbs. – 8 oz.	816115
H-30	30'	4500 psig	7 lbs. – 4 oz.	807587
H-45	45'	4500 psig	9 lbs. – 7 oz.	807570
H-45 Low-Profile	45'	4500 psig	9 lbs. – 10 oz.	10035644
H-60	60'	4500 psig	11 lbs. – 12 oz.	807588

*All weights shown are approximate figures.



Accountability System

MSA's new Accountability System revolutionizes fireground safety by combining the latest computer software with a high-performance radio module and the field-proven technology of MSA's ICM TxR Integrated PASS.

Accountability Base Station Kit <i>(includes software, antenna kit, USB cable and 8-24 volt power cable)</i>	10072240
M7 Control Module Reader / M7 ID tag writer	10083876
M7 ID tags	10083875
Antenna kit	10075756
USB cable	10063880
8-24 volt, power cable	10049410
Wall mount power cable <i>(not included in 10072240 kit)</i>	10047342



Corporate Headquarters

P.O. Box 426, Pittsburgh, PA 15230 USA

Phone 412-967-3000

www.MSAFire.com

Fire Service Customer Service

Phone 1-877-MSA-FIRE

Fax 1-800-967-0398

MSA Canada

Phone 1-800-672-2222

Fax 1-800-967-0398

MSA Mexico

Phone 52-55 21 22 5770

Fax 52-55 5359 4330

MSA International

Phone 412-967-3354

FAX 412-967-3451

Note: This Bulletin contains only a general description of the products shown. While uses and performance capabilities are described, under no circumstances shall the products be used by untrained or unqualified individuals and not until the product instructions including any warnings or cautions provided have been thoroughly read and understood. Only they contain the complete and detailed information concerning proper use and care of these products.

ID 0171-03-MC / March 2008

© MSA 2008 Printed in U.S.A.

