

# CAIRNS® FIRE HELMETS



2012 – 2013 CATALOG



# Top 10 Reasons to Choose Cairns® Fire Helmets

## TABLE OF CONTENTS

### CAIRNS FIRE HELMETS

Cairns Leather Helmets 4 - 9

Cairns Traditional Helmets 10 - 13

Cairns Modern Helmets 20 - 27

Cairns Rescue Helmets 28 - 35

### EXPLODED VIEWS, REPLACEMENT PARTS AND ATOS

Cairns Leather Helmets 36 - 39

Cairns Traditional Helmets 40 - 47

Cairns Modern Helmets 48 - 53

Cairns Rescue Helmets 54 - 59

### ACCESSORIES

Cairns Fronts, Front Holders Badges, Graphics and Helmet Decals 60 - 66

Fronts Ordering Forms 67 - 68

Striping/Accountability 69

Eye Protection 70

Accessories/ClearCommand HCS Helmet Communication System 71

Gifts for the Firefighter 72



**1 Impact Protection**  
Only Cairns Helmets offers the most complete system for impact absorption; the helmet shell, crushable front holder, impact cap, tube-lock, and suspension straps work as an energy-absorbing system to protect you. The greatest testament to Cairns Helmets is the number of lives saved by the above-and-beyond top-and-side impact protection and penetration resistance of the most requested helmet in the fire service.

**2 Thermal Protection**  
Almost every Cairns Helmet provides our thermal impact cap as extra protection. A Cairns Helmet with an impact cap is up to 66% cooler than a fire helmet without a thermal impact cap, helping users protect their heads from heat.

**3 Eye Protection**  
Only Cairns Helmets are available with the revolutionary patent-pending Defender® Visor— retractable, full-coverage, close-fitting eye protection that meets both NFPA and ANSI standards. By complementing helmets with a full line of conventional faceshields and goggles, Cairns Helmets is the clear leader in firefighters' head, eye and face protection.

**4 Shell Release System**  
This safety system found only on Cairns Helmets provides an extra margin of protection, should the helmet shell become lodged during firefighting.

**5 Comfort**  
Cairns Helmets are well known for their comfort, ride, and weight distribution. You can benefit from our decades of experience resulting in a highly refined helmet with unparalleled wearability, letting you focus on the job at hand.

**6 Quality**  
Cairns Fire Helmets are known for quality, from design to manufacture. You can feel the quality of our 100% handcrafted leather helmets and our hardware's durability and strength.

**7 User-Friendly**  
Your fire helmet routine maintenance is minimal, easy and fast with our easy-to-remove headband liners. To aid with NFPA 1851 standard compliance concerning fire helmet care and maintenance, MSA offers a free guide to NFPA 1851 compliance for Cairns Helmets with optional online certification. Visit [www.msafire.com](http://www.msafire.com) for details.

**8 Selection**  
Cairns Helmets offers the most complete line of fire helmets, from leathers to traditional and modern styles, from thermoplastic to fiberglass and Kevlar composites. No one else can match our selection. Just ask for your favorite style.

**9 Warranty**  
Cairns Helmets provides a 5-year shell replacement warranty and additional lifetime component coverage. We lead the way with a superior warranty.

**10 Heritage**  
Since 1836, Cairns Helmets has been designing and manufacturing high-quality fire helmets. No other helmet manufacturer has our experience and history within the fire service. More firefighters choose Cairns Helmets than any other brand of fire helmet.

**At Cairns Helmets, safety is our tradition. So choose Cairns Helmets for the ultimate reason – YOUR safety!**



# Cairns® Fire Helmets

## A Few Words About Helmet Performance



Cairns Fire Helmets are designed and manufactured to be extremely durable. All of our leather, thermoplastic, fiberglass, and Kevlar helmets exceed industry standards for heat, impact, and penetration protection. Cairns offers the most diverse line in the industry, so you can choose the helmet that is best for your application.

### Leather

#### New Yorker N5A® and N6A™ Helmet Models

Top-grain steer hide shell, layered with a high-performance thermal impact cap, skillfully hand-tooled by MSA Cairns craftsmen. The only 100% true leather helmet.



### Fiberglass

#### Cairns® 1010 and 1044, 660C Metro™, Invader 664™ and Commando HP3® Helmet Models

Exclusive, Dura-Glas® chip-resistant, through-color, high-performance, high-heat-resistant, compression-molded, fiberglass composite shell. Available in both modern and traditional styles.



### Thermoplastic

#### Structural 360S™, 360R™, 360R-13™ and 880 Tradition® Helmet Models

Through-color thermoplastic shell combines toughness and durability with NFPA performance. Available in both modern and traditional styles.



### Kevlar

#### Classic 1000™ Model

Fiberglass-reinforced Kevlar shell provides maximum thermal, impact, and penetration protection.



## Other Features

### Shell Release System

#### Fiberglass\* and Kevlar Models Only

Reduce the chance of neck injury with a shell that is designed to release from the impact cap in the event that it would become lodged during a fall. Although the outer shell releases, the impact cap and earlaps are designed to stay on the user's head for continued impact and thermal protection. Meets NFPA 1971, Rev. 2007, 80 lbs. minimum for release requirement.

\* Does not include HP3



### Adjustable Headband System

#### Excludes Leather Models

Cairns headband features:

- Three-position, rear-ratchet height adjustment to ensure a secure, comfortable fit for all head sizes between 6 7/8" and 8 3/8" (on 880 Tradition, fit is between 5 1/2" and 7 1/2" inches).
- An adjustable front headband allows perfect fit between the helmet and a SCBA mask without lifting the helmet or exposing the forehead.



All Cairns® Kevlar, Fiberglass, Thermoplastic\* and Leather N6A\*\* Fire Helmets are certified to NFPA 1971-2007. The Leather N5A is OSHA compliant.

\*The 360R-13 is certified to NFPA 1951-2007 only.

\*\*Natural color N6A is not NFPA compliant.


## LEATHER HELMET TESTIMONIALS

My NGA **Houston** helmet has protected me in many fires and various incidents throughout its life, but on 7/24/11 it saved my life. While on the second story of the 6700 sq ft house me and my other two crew members were preparing to go back out due to our low air alarms activating. I was just inside the doorway of the attic space and was giving it one more shot of water when our area of the house shook and collapsed sending me headfirst into the garage and leaving the rest of the crew on the edge of what was left of the second story. Shortly after hitting the garage floor I heard the roof tumbling down collapsing on top of me, trapping me underneath the burning rubble. While readjusting my mask I heard my guys send out a mayday over the radio and started to free myself. I was able to push some of the debris off me and crawled out from under the rest of it, low on air and with some minor burns and severe pain in the left side of my chest I looked for a way out. After exhausting a couple of different means of egress and having no tools that made the journey down with me to breach an outside wall, I went back to the previously blocked off front of the garage where this time I was able to faintly see the front of the driveway/yard. I dove, rolled, and crawled through the debris and fire to the front of the garage and into a stream of water that was from the RIT team making entry to come find me. They pulled me out the rest of the way, started treatment and put into a ambulance enroute to the hospital. After a few nights in the hospital due to minor burns, cuts and bruises, fractured ribs and a collapsed lung on the left side, they sent me home to recover. A week or two later I went to go look at my gear and realized that my helmet not only protected me from the fall but from the the looks of my bent over bill that it kept some of the heavy roof timber from crushing my neck and or back of my head. Sorry about the length, just wanted to let you know that your products can and do make a difference everyday in the lives and families of fireman. THANK YOU for the craftsmanship, quality, and pride that you guys/gals put into each of these helmets.

**Jason M.**  
**Broken Arrow, OK**







This helmet belongs to my good pal Mario. He works for the City of Detroit and as you can see gets quite a bit of fire service. Well, as you can probably tell his N5A New Yorker is getting to the point where it needs to be replaced. I can't think of a more deserving guy than him. I was in a garage fire with Mario some years back when we both worked in Ecorse Michigan. He went in and saved a dog that was locked in a cage inside while I stretched the line. After getting the dog we managed to get the swing up door open but it came loose from the ceiling and hit Mario on the head knocking him to the floor. He was off for 3 weeks after that and came to find out that he received compression fractures to his lumbar vertebrae. The good news is that his trusty New Yorker saved his melon. If you see fit to pick my story for this contest I will gladly give the free Cairns helmet to Mario so that he can continue to serve the City of Detroit safely. By the way, I am on my 2nd Cairns leather and wouldn't trade it for the world.

**Neil G.**

**Cape Coral, FL, Fort Myers Fire Dept**



# N5A New Yorker

The Original Leather Helmet



## KEY FEATURES

- Handcrafted, 100% leather shell.
- Cairns 5-year shell replacement warranty.
- Non-corroding, high-temperature-resistant faceshield/goggle hardware.
- Durable helmet hanger that fits on large hooks and resists bending.
- Minimal parts for lower service cost and easier maintenance.
- High-temperature impact cap increases thermal and impact protection.
- Comfortable fit for head sizes Medium (6<sup>3</sup>/<sub>8</sub> – 7<sup>1</sup>/<sub>2</sub>) and Large (7<sup>5</sup>/<sub>8</sub> – 8<sup>3</sup>/<sub>8</sub>).

Hand-crafted with over 175 years of dependable performance, the N5A New Yorker meets OSHA 1977.

# ORIGINAL

## Leather Forever!

Since 1836, Cairns has been the original manufacturer of leather firefighting helmets. The New Yorker helmet retains the same authentic look and quality that generation after generation of firefighters have relied upon.

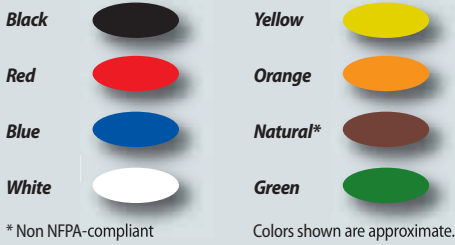
- The New Yorker shell is constructed of top-grain steer hide, impregnated with a natural resin system, which is sealed and over-coated with a colored high-luster finish system.
- The crown is hand-sewn to the one-piece brim section. Showing attention to detail in every stitch, the brim is embossed with Cairns original Oak Vine pattern.
- Increasing your safety, a thermal impact liner is then installed within the leather crown. The thermal impact liner dramatically increases the levels of protection where you need it most.
- The Cairns six-way overhead strap suspension system reduces shock transmission at the top of the helmet while providing a deep, comfortable fit.

- High-temperature Nomex chinstrap with quick release and postman's slide enhances performance, safety, and fit.
- Velcro stowage for extra chinstrap material.
- Aluminum-core edge trim.
- Complete your unique helmet with the comfort pad kit supplied with every helmet. Using these pads provides a superior fit and feel that do not come in a typical fire helmet.



## POPULAR OPTIONS

### HELMET COLORS



### EARLAPS



### CHINSTRAPS



## EYE PROTECTION

### GOGGLES



Cairns ESS Goggle

With Cairns ESS Goggle, choose one of the following attachment systems:



### FACESHIELDS



4" Tuffshield (Amber)

### BOURKES

(Non NFPA-compliant)



Use for cosmetic purposes only. Provides no eye or face protection.

### FRONT HOLDERS



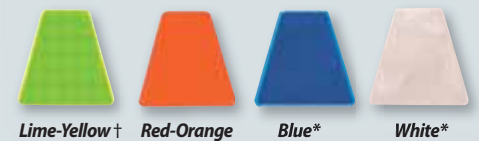
### SIX-INCH FRONTS



For a large selection of graphics, decals, chrome, gold badges and accessories, see pages 60 - 72.

### REFLECTIVE TRIM OPTIONS

#### Reflexite



† Standard  
\* Non NFPA-compliant

#### Scotchlite



# Cairns N6A Houston

NFPA Compliant Leather Helmet



## KEY FEATURES

- Handcrafted, 100% leather shell.
- Cairns 5-year shell replacement warranty.
- Non-corroding, high-temperature-resistant faceshield/goggle hardware.
- Durable helmet hanger that fits on large hooks and resists bending.
- Minimal parts for lower service cost and easier maintenance.
- High-temperature impact cap increases thermal and impact protection.
- Comfortable fit for head sizes Medium (6 <sup>3</sup>/<sub>8</sub> – 7 <sup>1</sup>/<sub>2</sub>) and Large (7 <sup>5</sup>/<sub>8</sub> – 8 <sup>3</sup>/<sub>8</sub>).

Hand-crafted to meet today's NFPA standards with over 175 years of dependable performance, the N6A Houston is NFPA 1971- 2007 certified.



# HANDCRAFTED

## Leather Forever!









Since 1836, Cairns has been the original manufacturer of leather firefighting helmets. The Houston helmet retains the same authentic look and quality that generation after generation of firefighters have relied upon.

- The Houston shell is constructed of top-grain steer hide, impregnated with a natural resin system, which is sealed and over-coated with a colored high-luster finish system.
- The crown is hand-sewn to the one-piece brim section. Showing attention to detail in every stitch, the brim is embossed with Cairns original Oak vine pattern.
- Increasing your safety, a thermal impact liner is then installed within the leather crown. The thermal impact liner dramatically increases the levels of protection where you need it most.
- The Cairns six-way overhead strap suspension system reduces shock transmission at the top of the helmet while providing a deep, comfortable fit.
- High-temperature Nomex chinstrap with quick release and postman's slide enhances performance, safety, and fit.
- Velcro stowage for extra chinstrap material.
- Aluminum-core edge trim.
- Complete your unique helmet with the comfort pad kit supplied with every helmet. Using these pads provides a superior fit and feel that do not come in a typical fire helmet.



**POPULAR OPTIONS**

**HELMET COLORS**

Black		Yellow	
Red		Orange	
Blue		Natural*	
White		Green	

\* Non NFPA-compliant      Colors shown are approximate.

**EARLAPS**



PBI/Kevlar      Black Nomex      Yellow Nomex

**CHINSTRAPS**



Nomex Chinstrap with Quick Release Buckle  
Nomex Chinstrap with Quick Release Buckle and Postman Slide

**EYE PROTECTION**

**GOGGLES**

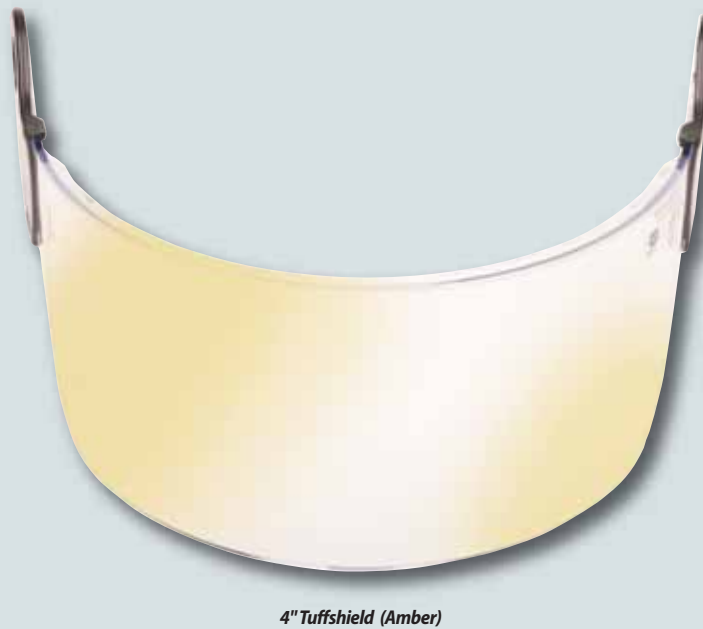


Cairns ESS Goggle

With Cairns ESS Goggle, choose one of the following attachment systems:

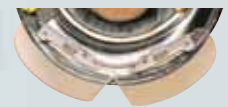
wraparound strap and D-Ring attachment (Cairns ESS Goggle)		low-profile snap-on/snap-off attachment (ESS Innerzone 2 Goggle)	
two-piece strap and mounting bracket system (ESS Innerzone 1 Goggle)		wraparound strap and two adhesive backed Velcro tabs (ESS Innerzone 3 Goggle)	

**FACESHIELDS**



**BOURKES**

(Non NFPA-compliant)



Use for cosmetic purposes only. Provides no eye or face protection.

**FRONT HOLDERS**



Carved Brass Eagle  
Silk-Screened Eagle  
Silk-Screened Maltese Cross  
Carved Brass Beaver

**SIX-INCH FRONTS**




TUSCON  
LIEUTENANT  
FIREFIGHTER  
FIREFIGHTER  
3

For a large selection of graphics, decals, chrome, gold badges and accessories, see pages 60 - 72.

**REFLECTIVE TRIM OPTIONS**


**Reflexite**



Lime-Yellow†      Red-Orange      Blue\*      White\*

† Standard  
\* Non NFPA-compliant

**Scotchlite**



Lime-Yellow      Lime-Yellow Triple Trim      Red-Orange      Red-Orange Triple Trim





## TRADITIONAL HELMET TESTIMONIALS

Making an interior attack on a two story 2000 sq. foot structure with heavy fire on A/D side. Our crew pulled two lines to the A side pushing the fire back on both floors and we had a very quick knockdown. Coming out of the residence, a piece of a beam fell on my head. I was very glad I had my **Cairns Classic 1000** on to protect my head!

**Bryan A.**

**Commerce, GA, Commerce Fire Dept**



While performing RIT drill practicals at my full time job as a paid firefighter, my captain fell through a hole in the floor of the department's training burn building. The hole was four foot square in size and all concrete, about ten foot in height from the first floor to the basement where he landed. He was standing and stepped back through the opening. Although he received severe injuries and was out of work for months, the outcome could have been much worse if not for his **Cairns Classic 1000 helmet**. It performed as advertised. The shell separated from the impact liner when he fell through the hole. Instead of losing his protection the impact liner stayed in place and protected him from a serious or fatal brain injury. The liner had several cracks and a flat spot, but my captain had no head injury. He suffered broken ribs, a broken back and a shoulder injury. There were mistakes made in the training, but there is no mistake that his Cairns helmet saved his life that day.

**Vincent M.**

**Madison, NC, Madison Vol. FD**



Two firefighters, Deputy Chief Chase D. Waggoner and Firefighter Justin King, making entry to a heavily involved residential structure near the village of Eldridge, Missouri on Dec. 31, 2010. Deputy Chief Waggoner was wearing a brand-new, white **Cairns 1044** helmet on its first call. The helmet, along with his MSA SCBA, protected Waggoner despite the fact that signs of an impending flashover forced the crew to exit the structure within two minutes of entry.

**Chase W.**  
**Lebanon, MO, Eldridge Volunteer Fire Department**







The Crew I was assigned to for the day responded to a structure fire in a 2 story multi-family dwelling. Upon our arrival we had light smoke conditions with no visible fire from side Alpha. Myself and another member entered the structure with an 1 3/4 hose line and proceeded to Division 2 to attack the fire. When we reached division 2 we encountered high heat and began to attack the fire. Somehow we lost water pressure and the flames now were over taking us. My partner retreated to the stairwell and I had the nozzle and moved back as well. Come to find out his helmet, made by another manufacturer, melted and compressed his hood onto his ears causing extensive second degree burns. My 1010 held up and I made it out unhurt! It was a lesson to us both in water supply and having water before an attack is started. It also forced him to get a new helmet! I still wear Cairns 880 and love them! I have gone through 3 different Cairns helmets during my 11 years here and plan on using many more. Thanks for protecting my melon from damage! Lt Matt Brixey  
*Matt B., Toledo, OH*  
*Toledo Fire and Rescue Department, Toledo, OH*

Me with my Cairns 880 helmet which has served me well for the past 7 years. Its an honor to wear a helmet that has such a deep root in the fire service. Regardless of the outcome, thank you for keeping the tradition alive.  
*Ryan C.*  
*Winthrop, MA, Cambridge Auxiliary Fire Department*



# Cairns® 1010 Traditional Style Helmet



Cairns 1010 Helmet with Defender Visor

## KEY FEATURES

- Tough, painted, DuraGlas® fiberglass composite shell
- Integral, retractable, close-fitting Defender® Visor option
- Easy front headband adjustment
- Simple ratchet height adjustment fits many head sizes
- Headband (6 3/8 to 8 3/8) fits wide range of head sizes
- May be used for proximity firefighting when combined with appropriate accessories (bonnet, shroud, gold-coated faceshield).



Cairns 1010 Helmet is certified to NFPA 1971-2007.



### The Defender Integrated, Optional Visor provides:

- Primary eye protection
- Retractable eyewear system that's ready when you need it
- Available on a new helmet or user-upgrade kit.
- Quick-disconnect attachment for fast lens change-out without tools
- A means of never losing or misplacing your eye protection
- Optically correct lens to eliminate peripheral distortion
- No front piece blockage as with other eye protection styles
- Compliance with ANSI Z87.1+
- Stays clean and protected from heat when stored

### Head Protection System (impact)

- Crushable eagle
- Impact cap also provides increased thermal impact protection
- 6-point overhead suspension
- Unique tube lock system absorbs impact shock

### Shell Release System

- Reduces risk of neck injury, as shell releases from impact cap in the event that it becomes lodged during a fall
- Impact cap and earlaps stay on user's head for continued impact and thermal protection
- Meets NFPA 1971, Rev. 2007, 80-lbs minimum for release requirement

### Adjustable Headband System provides:

- 3-position, rear-ratchet height adjustment for secure, comfortable fit for most head sizes between 6 3/8 and 8 3/8
- Adjustable front headband for perfect fit between helmet and SCBA mask without lifting helmet or exposing forehead

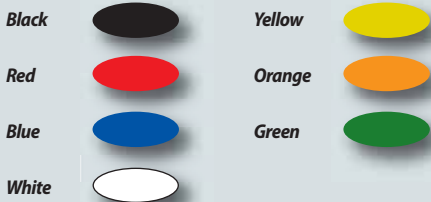
### Standard Features

- Cairns Helmets provides a 5-year shell replacement warranty
- Cairns Helmets offers the largest selection and widest variety of fire helmet options
- Cairns Helmets exceed industry standards for heat, impact, and penetration protection
- Easy maintenance and lower cost of ownership
- High-temperature foam liner offers increased thermal and impact protection when combined with shell-release system
- High-temperature Nomex chinstrap with quick release and postman's slide enhances performance, safety, and fit



## POPULAR OPTIONS

### HELMET COLORS



Colors shown are approximate.

### EARLAPS



### CHINSTRAPS



### EYE PROTECTION

#### GOGGLES



Cairns ESS Goggle

With Cairns ESS Goggle, choose one of the following attachment systems:



#### DEFENDER LENS ASSEMBLIES



#### BOURKES (Non NFPA-compliant)



Use for cosmetic purposes only. Provides no eye or face protection.

#### FACESHIELDS



#### CFR PROXIMITY SYSTEM

Crash Fire Rescue (CFR) Proximity System consists of:

- Shroud for Helmet
- 6" Gold-Coated Faceshield

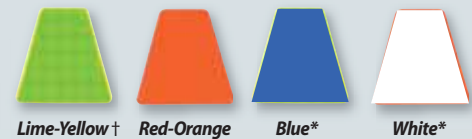


#### SIX-INCH FRONTS



#### REFLECTIVE TRIM OPTIONS

##### Reflexite



† Standard  
\* Non NFPA-compliant

##### Scotchlite



#### FRONT HOLDERS



Silk-Screened Eagle



Carved Brass Eagle



Silk-Screened Maltese Cross



Carved Brass Beaver

For a large selection of graphics, decals, chrome, gold badges and accessories, see pages 60 - 72.

# Cairns® 1044 Traditional Style Helmet

## KEY FEATURES

- Tough, through-color, DuraGlas® fiberglass composite shell
- Integral, retractable, close-fitting Defender® Visor option
- Easy front headband adjustment
- Simple ratchet height adjustment fits many head sizes
- Headband (6 3/8 to 8 3/8) fits wide range of head sizes
- May be used for proximity firefighting when combined with appropriate accessories (bonnet, shroud, gold-coated faceshield)



Certified to NFPA 1971-2007

# LEADER

### The Defender Integrated, Optional Visor provides:

- Primary eye protection
- Retractable eyewear system that's ready when you need it
- Available on a new helmet or user-upgrade kit.
- Quick-disconnect attachment for fast lens change-out without tools
- A means of never losing or misplacing your eye protection
- Optically correct lens to eliminate peripheral distortion
- No front piece blockage as with other eye protection styles
- Compliance with ANSI Z87.1+
- Stays clean and protected from heat when stored

### Head Protection System (impact)

- Crushable eagle
- Impact cap also provides increased thermal impact protection
- 6-point overhead suspension
- Unique tube lock system absorbs impact shock

### Shell Release System

- Reduces risk of neck injury, as shell releases from impact cap in the event that it becomes lodged during a fall
- Impact cap and earlaps stay on user's head for continued impact and thermal protection
- Meets NFPA 1971, Rev. 2007, 80-lbs minimum for release requirement

### Adjustable Headband System provides:

- 3-position, rear-ratchet height adjustment for secure, comfortable fit for most head sizes between 6 3/8 and 8 3/8
- Adjustable front headband for perfect fit between helmet and SCBA mask without lifting helmet or exposing forehead

### Standard Features

- Cairns Helmets provides a 5-year shell replacement warranty
- Cairns Helmets offers the largest selection and widest variety of fire helmet options
- Cairns Helmets exceed industry standards for heat, impact, and penetration protection
- Easy maintenance and lower cost of ownership
- High-temperature foam liner offers increased thermal and impact protection when combined with shell-release system
- High-temperature Nomex chinstrap with quick release and postman's slide enhances performance, safety, and fit



## POPULAR OPTIONS

### HELMET COLORS



Colors shown are approximate.

### EARLAPS



### CHINSTRAPS



### EYE PROTECTION

#### GOGGLES



Cairns ESS Goggle

With Cairns ESS Goggle, choose one of the following attachment systems:



#### DEFENDER LENS ASSEMBLIES



#### BOURKES (Non NFPA-compliant)



Use for cosmetic purposes only. Provides no eye or face protection.

#### FACESHIELDS



#### CFR PROXIMITY SYSTEM

Crash Fire Rescue (CFR) Proximity System consists of:  
 • Shroud for Helmet  
 • 6" Gold-Coated Faceshield



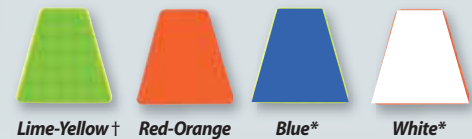
#### SIX-INCH FRONTS



For a large selection of graphics, decals, chrome, gold badges and accessories, see pages 60 - 72.

#### REFLECTIVE TRIM OPTIONS

##### Reflexite



† Standard  
 \* Non NFPA-compliant

##### Scotchlite



Lime-Yellow      Lime-Yellow Triple Trim      Red-Orange      Red-Orange Triple Trim

#### FRONT HOLDERS



# Cairns® 880 Traditional Style Helmet

## KEY FEATURES

- Tough, high temperature Ultem plastic shell
- Easy front headband adjustment
- Simple ratchet height adjustment fits many head sizes
- Headband (5 5/8 to 7 5/8) fits wide range of head sizes



Certified to NFPA 1971-2007

# LEGENDARY

### Head Protection System (impact)

- Crushable eagle
- Impact cap also provides increased thermal impact protection
- 6-point overhead suspension
- Unique tube lock system absorbs impact shock

### Shell Release System

- Reduces risk of neck injury, as shell releases from impact cap in the event that it becomes lodged during a fall
- Impact cap and earlaps stay on user's head for continued impact and thermal protection.
- Meets NFPA 1971, Rev. 2007, 80-lbs minimum for release requirement

### Adjustable Headband System provides:

- Three-position, rear-ratchet height adjustment for secure, comfortable fit for most head sizes between 5<sup>3</sup>/<sub>8</sub> and 7<sup>5</sup>/<sub>8</sub>
- Adjustable front headband for perfect fit between helmet and SCBA mask without lifting helmet or exposing forehead.

### Standard Features

- Cairns Helmets provides a 5-year shell replacement warranty
- Cairns Helmets offers the largest selection and widest variety of fire helmet options
- Cairns Helmets exceed industry standards for heat, impact, and penetration protection
- Easy maintenance and lower cost of ownership
- High-temperature foam liner offers increased thermal and impact protection when combined with shell-release system
- High-temperature Nomex chinstrap with quick release and postman's slide enhances performance, safety, and fit



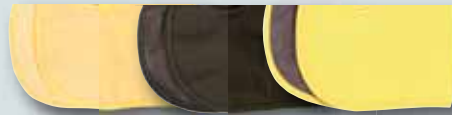
## POPULAR OPTIONS

### HELMET COLORS



Colors shown are approximate.

### EARLAPS



PBI/Kevlar      Black Nomex      Yellow Nomex

### CHINSTRAPS



Nomex Chinstrap with Quick Release Buckle

Nomex Chinstrap with Quick Release Buckle and Postman Slide

## EYE PROTECTION

### GOGGLES



Cairns ESS Goggle

With Cairns ESS Goggle, choose one of the following attachment systems:



### FACESHIELDS



4" Tuffshield (Amber)

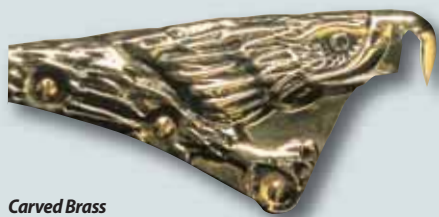
### BOURKES

(Non NFPA-compliant)



Use for cosmetic purposes only. Provides no eye or face protection.

### FRONT HOLDERS



Carved Brass Eagle

Silk-Screened Eagle



Silk-Screened Maltese Cross



### SIX-INCH FRONTS



For a large selection of graphics, decals, chrome, gold badges and accessories, see pages 60 - 72.

### REFLECTIVE TRIM OPTIONS

#### Reflexite



Lime-Yellow†      Red-Orange      Blue\*      White\*

† Standard  
\* Non NFPA-compliant

#### Scotchlite



Lime-Yellow      Lime-Yellow Triple Trim      Red-Orange      Red-Orange Triple Trim

# Classic 1000 Traditional Style Helmet



## KEY FEATURES

- Tough, painted, DuraGlas® fiberglass composite shell with Kevlar reinforcement
- Easy front headband adjustment
- Simple ratchet height adjustment fits many head sizes
- Headband (6 3/8 to 8 3/8) fits wide range of head sizes



# CLASSIC

Certified to NFPA 1971-2007

### Head Protection System (impact)

- Crushable eagle
- Impact cap also provides increased thermal impact protection
- 6-point overhead suspension
- Unique tube lock system absorbs impact shock

### Shell Release System

- Reduces risk of neck injury, as shell releases from impact cap in the event that it becomes lodged during a fall
- Impact cap and earlaps stay on user's head for continued impact and thermal protection.
- Meets NFPA 1971, Rev. 2007, 80-lbs minimum for release requirement

### Adjustable Headband System provides:

- Three-position, rear-ratchet height adjustment for secure, comfortable fit for most head sizes between 6 3/8 and 8 3/8
- Adjustable front headband for perfect fit between helmet and SCBA mask without lifting helmet or exposing forehead.

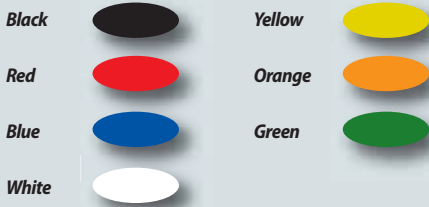
### Standard Features

- Cairns Helmets provides a 5-year shell replacement warranty
- Cairns Helmets offers the largest selection and widest variety of fire helmet options
- Cairns Helmets exceed industry standards for heat, impact, and penetration protection
- Easy maintenance and lower cost of ownership
- High-temperature foam liner offers increased thermal and impact protection when combined with shell-release system
- High-temperature Nomex chinstrap with quick release and postman's slide enhances performance, safety, and fit



## POPULAR OPTIONS

### HELMET COLORS



Colors shown are approximate.

### EARLAPS



PBI/Kevlar      Black Nomex      Yellow Nomex

### CHINSTRAPS



## EYE PROTECTION

### GOGGLES



Cairns ESS Goggle

With Cairns ESS Goggle, choose one of the following attachment systems:



### FACESHIELDS



4" Tuffshield (Amber)

### BOURKES

(Non NFPA-compliant)



Use for cosmetic purposes only. Provides no eye or face protection.

### FRONT HOLDERS



Carved Brass Eagle

Silk-Screened Eagle

Silk-Screened Maltese Cross

Carved Brass Beaver

### SIX-INCH FRONTS



For a large selection of graphics, decals, chrome, gold badges and accessories, see pages 60 - 72.

### REFLECTIVE TRIM OPTIONS

#### Reflexite



Lime-Yellow†      Red-Orange      Blue\*      White\*

† Standard  
\* Non NFPA-compliant

#### Scotchlite



Lime-Yellow      Lime-Yellow Triple Trim      Red-Orange      Red-Orange Triple Trim

My second day full time on the job, we had a house fire. We had started with an interior attack on the main floor and my partner who was on the first shift working with him. After approx 5 minutes inside chunks of dry wall started falling from the vaulted ceiling. My partner had exposed himself for no more than a minute and a chunk fell on him, knocking him out. Another firefighter from a neighboring department and myself started our mayday mayday and we pulled him out. My partner was wearing a **Cairns Structural 360S** helmet. He went to the hospital to get checked out and was cleared in two days after the fire.

**Brett L.**

**Redwood Meadows, AB, Rocky View County Fire Rescue**

I joined Krebs Fire Department in 1995. We are volunteer. The helmets we were given were another brand. I didn't like the way they felt and to me they were very uncomfortable. I had the opportunity to try a **Cairns Structural 360S** and loved it, so I bought one with my own money. Well, about three years ago they made me Lieutenant and Purchasing Officer, so I ordered a white Cairns Structural 360S and now wear that as Lieutenant.

I still have my old yellow 360S. It got me through a lot of very rough calls. I included a picture of it as well. Thank you for making a tough yet comfortable helmet!

**Peter P.**

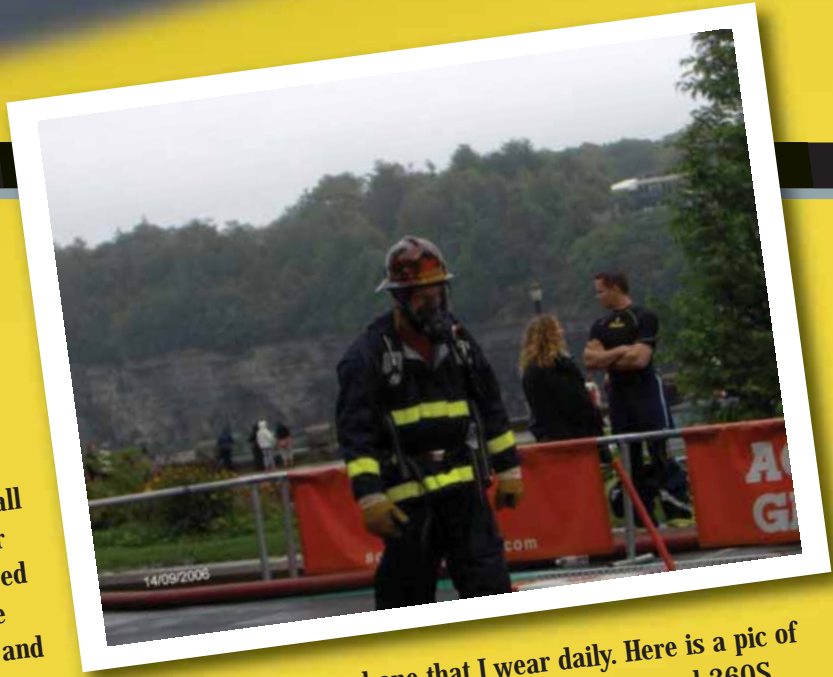
**Krebs, OK, Krebs Fire Department**





In early winter of 2009, while fighting a house fire, we were suddenly caught in a flash over while in a stair well, with the heat and flames coming down on top of us, my **Structural 360S** helmet kept me safe from head burns. After exiting the house I noticed that all of the reflective stickers and my visor had melted, With my Helmet discolored I knew that it had done its job. I have worn many types of Cairns Helmets and I own 5 all Structural 360S, two that have been retired, two that I have painted for Combat Challenge and one that I wear daily. Here is a pic of me at the National Combat Challenge in Niagra Falls 2006 wearing one of my painted Structural 360S.

**Steve H**  
**Conception Bay South Fire Dept, Conception Bay South, NL**



# Cairns® 660C Modern Style Helmet

## KEY FEATURES

- Tough, painted, DuraGlas® fiberglass composite shell
- Integral, retractable, close-fitting Defender® Visor option
- Easy front headband adjustment
- Simple ratchet height adjustment fits many head sizes
- Headband (6 3/8 to 8 3/8) fits wide range of head sizes
- Sleek low profile modern style
- May be used for proximity firefighting when combined with appropriate accessories (bonnet, shroud, gold-coated faceshield).



Certified to NFPA 1971-2007

# TOUGH

### The Defender Integrated, Optional Visor provides:

- Primary eye protection
- Retractable eyewear system that's ready when you need it
- Available on a new helmet or user-upgrade kit.
- Quick-disconnect attachment for fast lens change-out without tools
- A means of never losing or misplacing your eye protection
- Optically correct lens to eliminate peripheral distortion
- No front piece blockage as with other eye protection styles
- Compliance with ANSI Z87.1+
- Stays clean and protected from heat when stored

### Head Protection System (impact)

- Crushable eagle
- Impact cap also provides increased thermal impact protection
- 6-point overhead suspension
- Unique tube lock system absorbs impact shock

### Shell Release System

- Reduces risk of neck injury, as shell releases from impact cap in the event that it becomes lodged during a fall
- Impact cap and earlaps stay on user's head for continued impact and thermal protection
- Meets NFPA 1971, Rev. 2007, 80-lbs minimum for release requirement

### Adjustable Headband System provides:

- 3-position, rear-ratchet height adjustment for secure, comfortable fit for most head sizes between 6 3/8 and 8 3/8
- Adjustable front headband for perfect fit between helmet and SCBA mask without lifting helmet or exposing forehead

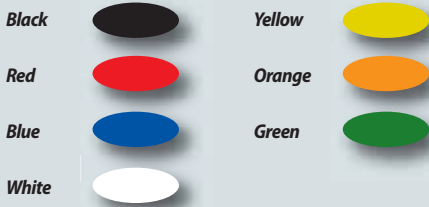
### Standard Features

- Cairns Helmets provides a 5-year shell replacement warranty
- Cairns Helmets offers the largest selection and widest variety of fire helmet options
- Cairns Helmets exceed industry standards for heat, impact, and penetration protection
- Easy maintenance and lower cost of ownership
- High-temperature foam liner offers increased thermal and impact protection when combined with shell-release system
- High-temperature Nomex chinstrap with quick release and postman's slide enhances performance, safety, and fit



## POPULAR OPTIONS

### HELMET COLORS



Colors shown are approximate.

### EARLAPS



### CHINSTRAPS



### EYE PROTECTION

#### GOGGLES



Cairns ESS Goggle

With Cairns ESS Goggle, choose one of the following attachment systems:



#### DEFENDER LENS ASSEMBLIES



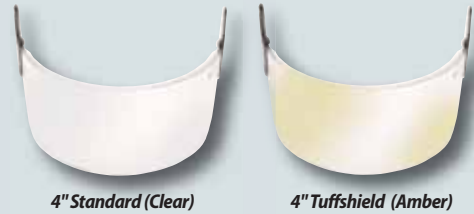
#### CFR PROXIMITY SYSTEM

Crash Fire Rescue (CFR) Proximity System consists of:

- Shroud for Helmet
- 6" Gold-Coated Faceshield



#### FACESHIELDS



#### FOUR-INCH FRONTS



For a large selection of graphics, decals, chrome, gold badges and accessories, see pages 60 - 72.



#### STANDARD REFLECTIVE TRIM OPTIONS

Reflexite Lime-Yellow, Red-Orange, White\* (not shown), or Blue\* (not shown)



Scotchlite Lime-Yellow, Red-Orange, or White\* (not shown)



\* Non NFPA-compliant

#### TITLE TAPES



# Cairns® Invader 664 Modern Style Helmet

## KEY FEATURES

- Tough, through-color, DuraGlas® fiberglass composite shell
- Integral, retractable, close-fitting Defender® Visor option
- Easy front headband adjustment
- Simple ratchet height adjustment fits many head sizes
- Headband (6 3/8 to 8 3/8) fits wide range of head sizes
- Sleek low profile modern style
- May be used for proximity firefighting when combined with appropriate accessories (bonnet, shroud, gold-coated faceshield).



Certified to NFPA 1971-2007

RUGGED

### The Defender Integrated, Optional Visor provides:

- Primary eye protection
- Retractable eyewear system that's ready when you need it
- Available on a new helmet or user-upgrade kit.
- Quick-disconnect attachment for fast lens change-out without tools
- A means of never losing or misplacing your eye protection
- Optically correct lens to eliminate peripheral distortion
- No front piece blockage as with other eye protection styles
- Compliance with ANSI Z87.1+
- Stays clean and protected from heat when stored

### Head Protection System (impact)

- Crushable eagle
- Impact cap also provides increased thermal impact protection
- 6-point overhead suspension
- Unique tube lock system absorbs impact shock

### Adjustable Headband System provides:

- 3-position, rear-ratchet height adjustment for secure, comfortable fit for most head sizes between 6 3/8 and 8 3/8
- Adjustable front headband for perfect fit between helmet and SCBA mask without lifting helmet or exposing forehead

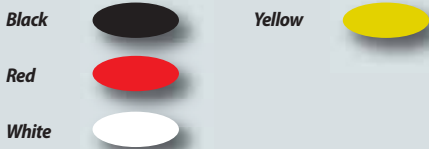
### Standard Features

- Cairns Helmets provides a 5-year shell replacement warranty
- Cairns Helmets offers the largest selection and widest variety of fire helmet options
- Cairns Helmets exceed industry standards for heat, impact, and penetration protection
- Easy maintenance and lower cost of ownership
- High-temperature foam liner offers increased thermal and impact protection when combined with shell-release system
- High-temperature Nomex chinstrap with quick release and postman's slide enhances performance, safety, and fit



**POPULAR OPTIONS**

**HELMET COLORS**



Colors shown are approximate.

**EARLAPS**



**CHINSTRAPS**



**GOGGLES**



Cairns ESS Goggle

With Cairns ESS Goggle, choose one of the following attachment systems:



**DEFENDER LENS ASSEMBLIES**



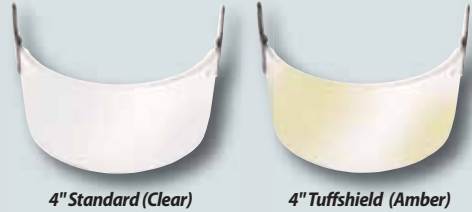
**CAIRNS EXCLUSIVE!**

**CFR PROXIMITY SYSTEM**

Crash Fire Rescue (CFR) Proximity System consists of:  
 • Shroud for Helmet  
 • 6" Gold-Coated Faceshield



**FACESHIELDS**



**FOUR-INCH FRONTS**



For a large selection of graphics, decals, chrome, gold badges and accessories, see pages 60 - 72.



**STANDARD REFLECTIVE TRIM OPTIONS**

Reflexite Lime-Yellow, Red-Orange, White\* (not shown), or Blue\* (not shown)

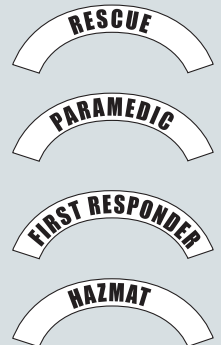


Scotchlite Lime-Yellow, Red-Orange, or White\* (not shown)



\* Non NFPA-compliant

**TITLE TAPES**



# Cairns® Structural 360S Modern Style Helmet

## KEY FEATURES

- Tough, high temperature Ultem plastic shell
- Easy front headband adjustment
- Simple ratchet height adjustment fits many head sizes
- Headband (6 3/8 to 8 3/8) fits wide range of head sizes



# LIGHTEST

Certified to NFPA 1971-2007

### Head Protection System (impact)

- Impact cap also provides increased thermal impact protection
- 6-point overhead suspension

### Adjustable Headband System provides:

- Three-position, rear-ratchet height adjustment for secure, comfortable fit for most head sizes between 6 3/8 and 8 3/8
- Adjustable front headband for perfect fit between helmet and SCBA mask without lifting helmet or exposing forehead.

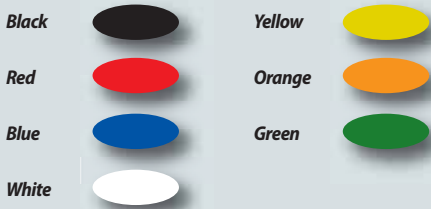
### Standard Features

- Cairns Helmets provides a 5-year shell replacement warranty
- Cairns Helmets offers the largest selection and widest variety of fire helmet options
- Cairns Helmets exceed industry standards for heat, impact, and penetration protection
- Easy maintenance and lower cost of ownership
- High-temperature foam liner offers increased thermal and impact protection when combined with shell-release system
- High-temperature Nomex chinstrap with quick release and postman's slide enhances performance, safety, and fit



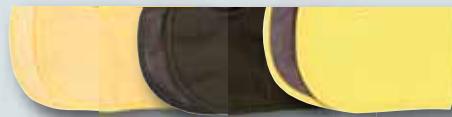
**POPULAR OPTIONS**

**HELMET COLORS**



Colors shown are approximate.

**EARLAPS**



PBI/Kevlar      Black Nomex      Yellow Nomex

**CHINSTRAPS**



Nomex Chinstrap with Quick Release Buckle

Nomex Chinstrap with Quick Release Buckle and Postman Slide

**EYE PROTECTION**

**GOGGLES**



Cairns ESS Goggle

With Cairns ESS Goggle, choose one of the following attachment systems:



**FACESHIELDS**



4" Standard (Clear)

4" Tuffshield (Amber)

**FOUR-INCH FRONTS**



**STANDARD REFLECTIVE TRIM OPTIONS**



Reflexite Lime-Yellow, Red-Orange, White\* (not shown), or Blue\* (not shown)



Scotchlite Lime-Yellow, Red-Orange, or White\* (not shown)

**TITLE TAPES**



For a large selection of graphics, decals, chrome, gold badges and accessories, see pages 60 - 72.



## RESCUE HELMET TESTIMONIALS







In the 5 years I have worked in Fire/EMS I have trusted only one Helmet Company and that would be MSA. In the fire department I wear a Cairns 1010 and performing in EMS I choose to wear **Cairns Rescue 360R**. MSA has the best products on the market and I wouldn't want to wear anything else other than MSA.

***Dan F***

***Verona, PA, Penn Hills VFD Station 222***

I usually have a hard time focusing on what i'm doing while looking through a normal flip down shield, which is why i use the **defender shield** patented by cairns. while doing some extrication a piece of metal flew free from the cutters, but luckily deflected off of my defender visor. had i been wearing a normal visor, chances are i would have had it up to focus on what i was doing, and would more than likely be blind in one eye today. thank you cairns

***Kyle M***

***Howie Center; NS, SRFD***

# Cairns® Commando HP3 Structural & Rescue Helmet

## KEY FEATURES

- Tough, high temperature Ultem plastic shell
- Integral, retractable, close-fitting Defender® Visor option
- Easy front headband adjustment
- Simple ratchet height adjustment fits many head sizes
- Headband (6 3/8 to 8 3/8) fits wide range of head sizes
- Available 3-point chinstrap



Certified to both NFPA 1971-2007 and NFPA 1951 – 2007

LOW-PROFILE

### The Defender Integrated, Optional Visor provides:

- Primary eye protection
- Retractable eyewear system that's ready when you need it
- Available on a new helmet or user-upgrade kit.
- Quick-disconnect attachment for fast lens change-out without tools
- A means of never losing or misplacing your eye protection
- Optically correct lens to eliminate peripheral distortion
- No front piece blockage as with other eye protection styles
- Compliance with ANSI Z87.1+
- Stays clean and protected from heat when stored

### Head Protection System (impact)

- Impact cap also provides increased thermal impact protection
- 6-point overhead suspension

### Adjustable Headband System provides:

- Three-position, rear-ratchet height adjustment for secure, comfortable fit for most head sizes between 6 3/8 and 8 3/8
- Adjustable front headband for perfect fit between helmet and SCBA mask without lifting helmet or exposing forehead.

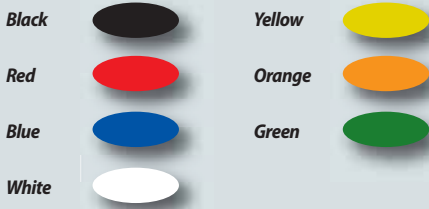
### Standard Features

- Cairns Helmets provides a 5-year shell replacement warranty
- Cairns Helmets offers the largest selection and widest variety of fire helmet options
- Cairns Helmets exceed industry standards for heat, impact, and penetration protection
- Easy maintenance and lower cost of ownership
- High-temperature foam liner offers increased thermal and impact protection when combined with shell-release system
- High-temperature Nomex chinstrap with quick release and postman's slide enhances performance, safety, and fit



**POPULAR OPTIONS**

**HELMET COLORS**



Colors shown are approximate.

**EYE PROTECTION**

**GOGGLES**



Cairns ESS Goggle

With Cairns ESS Goggle, choose one of the following attachment systems:

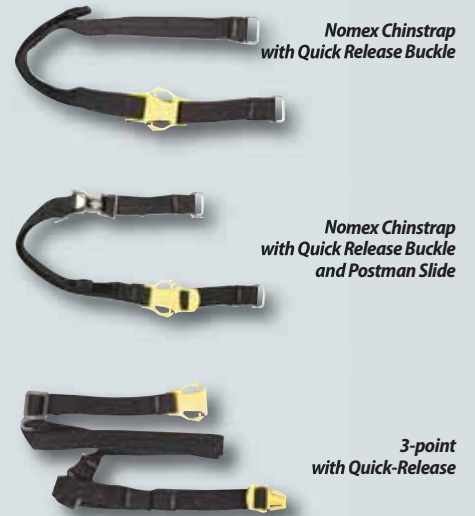


**EARLAPS**



PBI/Kevlar    Black Nomex    Yellow Nomex

**CHINSTRAPS**

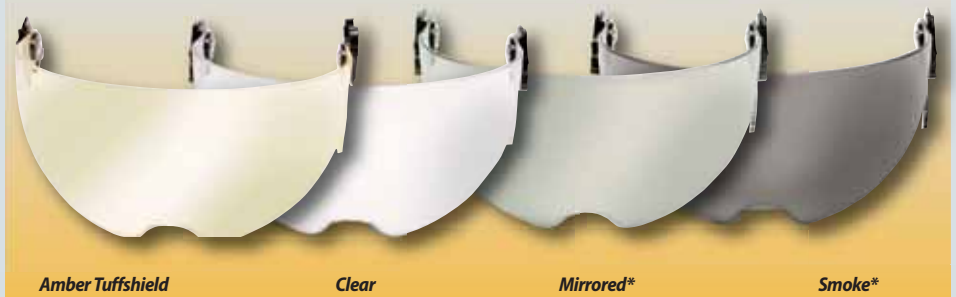


**FACESHIELDS**



4" Standard (Clear)    4" Tuffshield (Amber)

**DEFENDER LENS ASSEMBLIES**



\* Non NFPA-compliant

Amber Tuffshield    Clear    Mirrored\*    Smoke\*

**CAIRNS EXCLUSIVE!**

**FOUR-INCH FRONTS**



For a large selection of graphics, decals, chrome, gold badges and accessories, see pages 60 - 72.



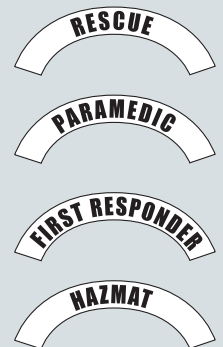
**STANDARD REFLECTIVE TRIM OPTIONS**



Reflexite Lime-Yellow, Red-Orange, White\* (not shown), or Blue\* (not shown)

Scotchlite Lime-Yellow, Red-Orange, or White\* (not shown)

**TITLE TAPES**



# Cairns® Rescue 360R Helmet



## KEY FEATURES

- Tough, high temperature Ultem plastic shell
- Easy front headband adjustment
- Simple ratchet height adjustment fits many head sizes
- Headband (6 3/8 to 8 3/8) fits wide range of head sizes
- Our lightest, low profile structural helmet



Certified to both NFPA 1971-2007 and NFPA 1951 – 2007 editions

# LOW-PROFILE

### Head Protection System (impact)

- Impact cap also provides increased thermal impact protection
- 6-point overhead suspension

### Adjustable Headband System provides:

- Three-position, rear-ratchet height adjustment for secure, comfortable fit for most head sizes between 6 3/8 and 8 3/8
- Adjustable front headband for perfect fit between helmet and SCBA mask without lifting helmet or exposing forehead.

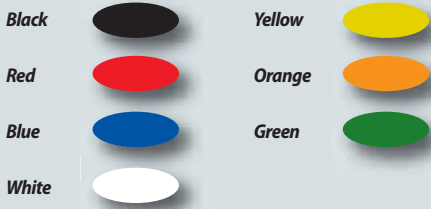
### Standard Features

- Cairns Helmets provides a 5-year shell replacement warranty
- Cairns Helmets offers the largest selection and widest variety of fire helmet options
- Cairns Helmets exceed industry standards for heat, impact, and penetration protection
- Easy maintenance and lower cost of ownership
- High-temperature foam liner offers increased thermal and impact protection when combined with shell-release system
- High-temperature Nomex chinstrap with quick release and postman's slide enhances performance, safety, and fit



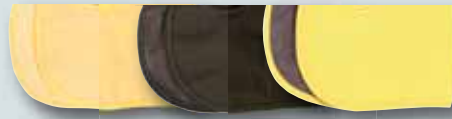
**POPULAR OPTIONS**

**HELMET COLORS**



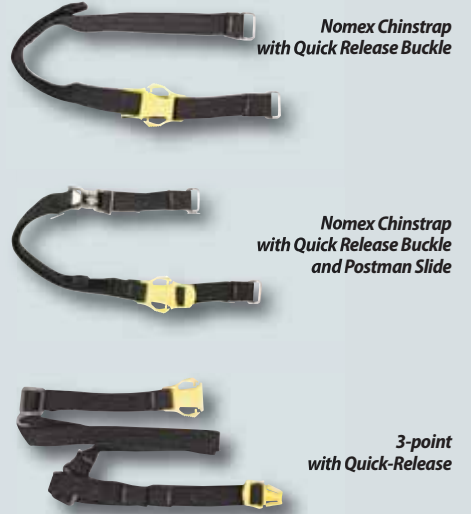
Colors shown are approximate.

**EARLAPS**



PBI/Kevlar      Black Nomex      Yellow Nomex

**CHINSTRAPS**



Nomex Chinstrap with Quick Release Buckle

Nomex Chinstrap with Quick Release Buckle and Postman Slide

3-point with Quick-Release

**EYE PROTECTION**

**GOGGLES**



Cairns ESS Goggle

With Cairns ESS Goggle, choose one of the following attachment systems:

wraparound strap and D-Ring (Cairns ESS Goggle)



two-piece strap and mounting bracket system (ESS Innerzone 1 Goggle)



low-profile snap-on/snap-off attachment (ESS Innerzone 2 Goggle)



wraparound strap and two adhesive backed Velcro tabs (ESS Innerzone 3 Goggle)



**FOUR-INCH FRONTS**



For a large selection of graphics, decals, chrome, gold badges and accessories, see pages 60 - 72.

**STANDARD REFLECTIVE TRIM OPTIONS**



Reflexite Lime-Yellow, Red-Orange, White\* (not shown), or Blue\* (not shown)



Scotchlite Lime-Yellow, Red-Orange, or White\* (not shown)

**TITLE TAPES**



# Cairns® Rescue 360R-13 Helmet



**KEY FEATURES**

- Tough, high temperature Ultem plastic shell
- Easy front headband adjustment
- Simple ratchet height adjustment fits many head sizes
- Headband (6 3/8 to 8 3/8) fits wide range of head sizes



SECURE

Certified to NFPA 1951 – 2007 edition

#### Head Protection System (impact)

- 6-point overhead suspension

#### Adjustable Headband System provides:

- 3-position, rear-ratchet height adjustment for secure, comfortable fit for most head sizes between 6 3/8 and 8 3/8.
- Adjustable front headband for perfect fit between helmet and SCBA mask without lifting helmet or exposing forehead.

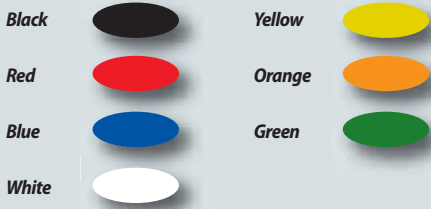
#### Standard Features

- Cairns Helmets provides a 5-year shell replacement warranty.
- Cairns Helmets offers the largest selection and widest variety of fire helmet options
- Cairns Helmets exceed industry standards for heat, impact, and penetration protection.
- Easy maintenance and lower cost of ownership.
- High-temperature foam liner offers increased thermal and impact protection when combined with shell-release system.
- High-temperature Nomex chinstrap with quick release and postman's slide enhances performance, safety, and fit



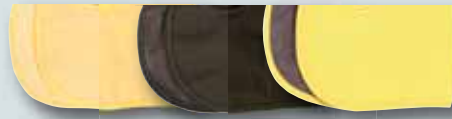
**POPULAR OPTIONS**

**HELMET COLORS**



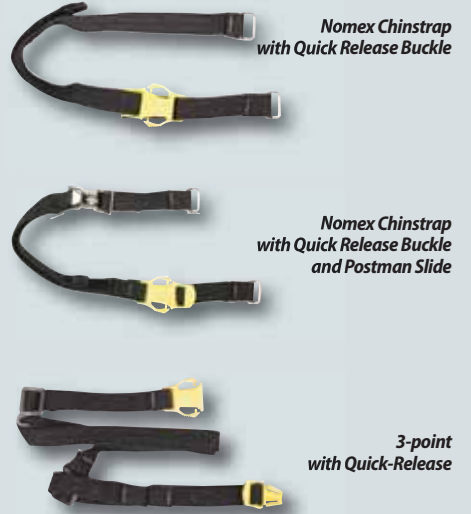
Colors shown are approximate.

**EARLAPS**



PBI/Kevlar      Black Nomex      Yellow Nomex

**CHINSTRAPS**



Nomex Chinstrap with Quick Release Buckle

Nomex Chinstrap with Quick Release Buckle and Postman Slide

3-point with Quick-Release

**EYE PROTECTION**

**GOGGLES**



Cairns ESS Goggle

With Cairns ESS Goggle, choose one of the following attachment systems:

wraparound strap and D-Ring (Cairns ESS Goggle)



two-piece strap and mounting bracket system (ESS Innerzone 1 Goggle)



low-profile snap-on/snap-off attachment (ESS Innerzone 2 Goggle)



wraparound strap and two adhesive backed Velcro tabs (ESS Innerzone 3 Goggle)



**FOUR-INCH FRONTS**



For a large selection of graphics, decals, chrome, gold badges and accessories, see pages 60 - 72.

**STANDARD REFLECTIVE TRIM OPTIONS**



Reflexite Lime-Yellow, Red-Orange, White\* (not shown), or Blue\* (not shown)



Scotchlite Lime-Yellow, Red-Orange, or White\* (not shown)

**TITLE TAPES**



# CAIRNS NSA NEW YORKER REPLACEMENT PARTS AND EXPLODED VIEW

## 1 Reflective Trim Options

RP20Y	Tetrahedrons (20 per pkg.), Lime/Yellow (NFPA)
SP20YP	Tetrahedrons (20 per pkg.) Lime/Yellow (NFPA)
SP20RP	Tetrahedrons (20 per pkg.), Red/Orange (NFPA)
RP20R	Tetrahedrons (20 per pkg.) Red/Orange*

## 2 Chinstraps

C893P	Nomex Chinstrap with QRB and Postman Slide
C892P	Nomex Chinstrap with QRB

## 3 Ratchet Headband System

RBP	Ratchet Headband Only
-----	-----------------------

## 4 Liners/Earlaps (specify M or L)

L5RP-0001	Leather/Sateen Cushion Liner with Jumbo Nomex Earlap, MED
L5RP-0002	Leather/Sateen Cushion Liner with Jumbo Nomex Earlap, SML
L5RP	Leather/Sateen Cushion Liner with Jumbo Nomex Earlap, LRG
L59RP	Leather/Sateen Cushion Liner with PBI/Kevlar Earlap, LRG
L59RP-0001	Leather/Sateen Cushion Liner with PBI/Kevlar Earlap, MED

## 5 Leather Ratchet Pad

LRPP	Leather Ratchet Pad (use with L5RP/L59RP)
------	---

## 6 Faceshield Hardware

S918P	Hardware Kit, Glass Reinforced
S103P	Bourke Hardware Kit
S950P	"E" Clips for Faceshield (50 per pk)
S204P	Wing Protectors for 4" Faceshield (pair)
S206P	Wing Protectors for 6" Faceshield (pair)

## 7 Face/Eye Protection

10071006	4" Tuffshield with wing protectors
S550P	Cairns ESS Goggle
S555P	Cairns ESS Goggle Tear Off Lens Covers (6 pack)
S556P	Cairns ESS Goggle Replacement Lens
S10KP	Bourke and Hardware ∅

## 8 Front Holder Options

M8P	Carved Brass Eagle 6" Front Holder
M9P	Silk-Screened Eagle 6" Front Holder
M6P	Silk-Screened Maltese Cross 6" Front Holder

## 9 Brass Crown Piece

M10P	Brass Crown Piece
------	-------------------

## 10 Foam Adjustment Kit

M560P	Foam Adjustment Kit (6 sets w/ 5 foam pads in each)
-------	--

## 11 Foam Crown Pad

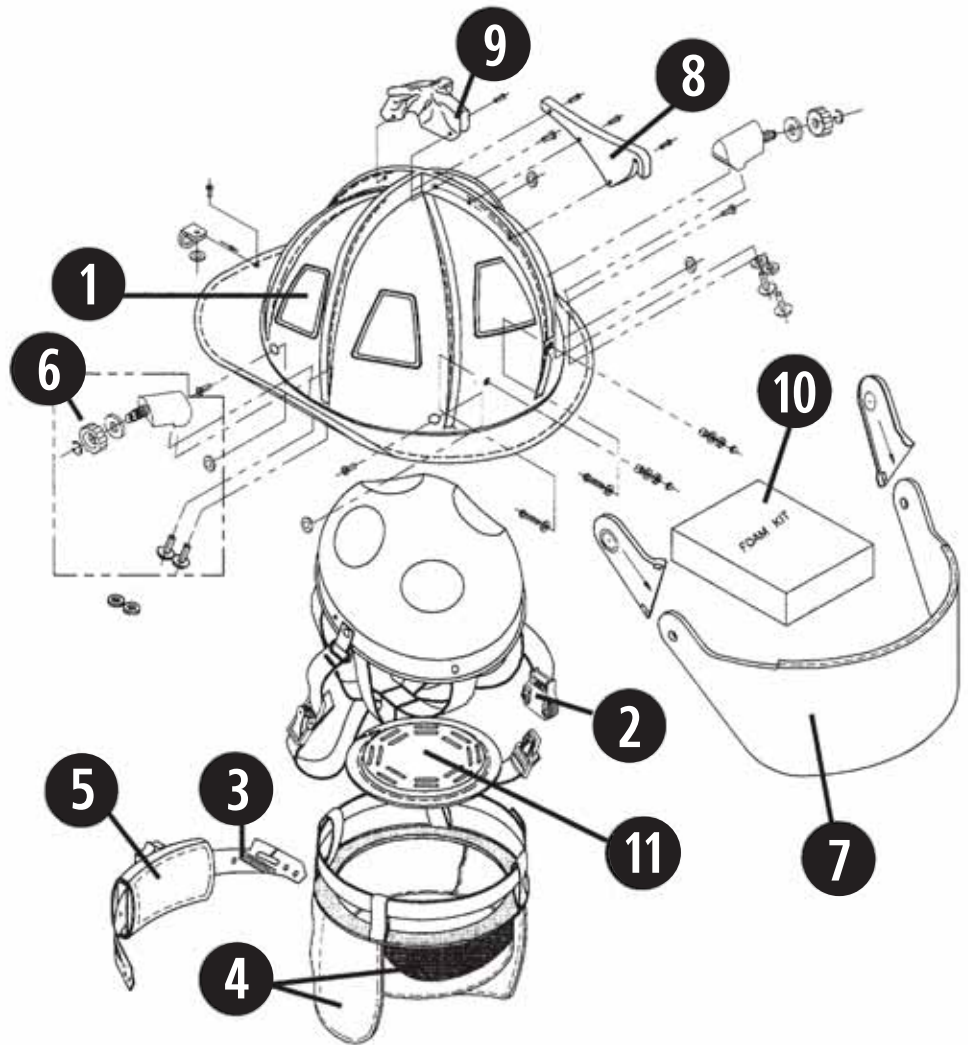
FCPP	Foam Crown Pad
------	----------------

\* Not NFPA compliant.

∅ For cosmetic purposes only.

Provides no eye or face protection.

For Fronts, Accessories and Reflective Trim, see pages 60-69.



## Cairns N5A New Yorker Leather Helmet Assemble-To-Order Matrix

Model	Color	Size	Eye Protection**	Earlap	Front Holder	Chinstrap	Trim Type	Trim Color			
3 Leather N5A New Yorker*	1 Black	1 Medium	0 None	1 Leather/Sateen Liner with Jumbo Nomex Yellow Earlap	1 6" Carved Brass Eagle	1 Nomex with Quick Release	0 Nonet	1 Lime Yellow			
	2 Red	2 Large	1 4" Tuffshield					2 White (Reflexite Only)			
4 Leather N5A New Yorker with Bourkes*	3 Blue		2 Cairns ESS Goggles	2 Leather/Sateen Liner with Jumbo PBI/Kevlar Earlap	2 6" Silk Screened Eagle	2 Nomex with Quick Release & Postman's Slide	3 Scotchlite	3 Red/Orange (Reflexite & Scotchlite Only)			
	4 White		4 ESS Innerzone 3 Goggles					3 Leather/Sateen Liner with Jumbo Nomex Black Earlap	3 6" Silk Screened Maltese Cross	4 Red/Orange Triple Trim (Scotchlite Only)	
	5 Yellow		5 ESS Innerzone 2 Goggles		4 6" Carved Brass Beaver						5 Lime/Yellow Triple Trim (Scotchlite Only)
	6 Orange		6 ESS Innerzone 1 Goggles								
	7 Natural		7 4" Gold-Plated Faceshield								
	8 Green		8 6" Gold-Plated Faceshield								

**B-LTH-**

**Part Number**

\*\* Eye protection (goggles or faceshield) required for NFPA compliance





# CAIRNS N6A HOUSTON REPLACEMENT PARTS AND EXPLODED VIEW

## 1 Reflective Trim Options

RP20Y	Tetrahedrons (20 per pkg.), Lime/Yellow (NFPA)
SP20YP	Tetrahedrons (20 per pkg.) Lime/Yellow (NFPA)
SP20RP	Tetrahedrons (20 per pkg.), Red/Orange (NFPA)
RP20R	Tetrahedrons (20 per pkg.) Red/Orange*

## 2 Chinstraps

C893P	Nomex Chinstrap with QRB and Postman Slide
C892P	Nomex Chinstrap with QRB

## 3 Ratchet Headband System

RBP	Ratchet Headband Only
-----	-----------------------

## 4 Liners/Earlaps (specify M or L)

L5RP-0001	Leather/Sateen Cushion Liner with Jumbo Nomex Earlap, MED
L5RP-0002	Leather/Sateen Cushion Liner with Jumbo Nomex Earlap, SML
L5RP	Leather/Sateen Cushion Liner with Jumbo Nomex Earlap, LRG
L59RP	Leather/Sateen Cushion Liner with PBI/Kevlar Earlap, LRG
L59RP-0001	Leather/Sateen Cushion Liner with PBI/Kevlar Earlap, MED

## 5 Leather Ratchet Pad

LRPP	Leather Ratchet Pad (use with L5RP/L59RP)
------	---

## 6 Faceshield Hardware

S918P	Hardware Kit, Glass Reinforced
S103P	Bourke Hardware Kit
S950P	"E" Clips for Faceshield (50 per pk)
S204P	Wing Protectors for 4" Faceshield (pair)
S206P	Wing Protectors for 6" Faceshield (pair)

## 7 Face/Eye Protection

10071006	4" Tuffshield with wing protectors
S550P	Cairns ESS Goggle
S555P	Cairns ESS Goggle Tear Off Lens Covers (6 pack)
S556P	Cairns ESS Goggle Replacement Lens
S10KP	Bourke and Hardware ∅

## 8 Front Holder Options

M8P	Carved Brass Eagle 6" Front Holder
M9P	Silk-Screened Eagle 6" Front Holder
M6P	Silk-Screened Maltese Cross 6" Front Holder

## 9 Brass Crown Piece

M10P	Brass Crown Piece
------	-------------------

## 10 Foam Adjustment Kit

M560P	Foam Adjustment Kit (6 sets w/ 5 foam pads in each)
-------	--

## 11 Foam Crown Pad

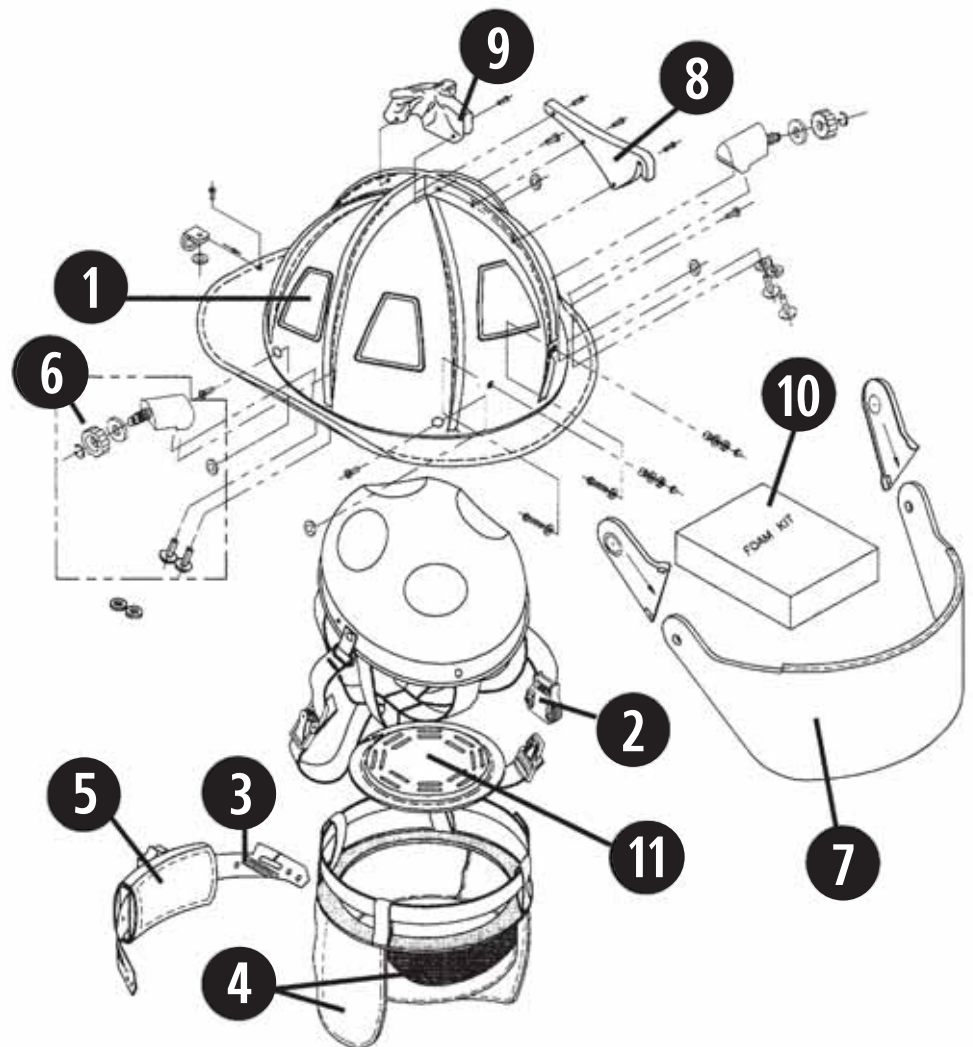
FCPP	Foam Crown Pad
------	----------------

\* Not NFPA compliant.

∅ For cosmetic purposes only.

Provides no eye or face protection.

For Fronts, Accessories and Reflective Trim, see pages 60-69.



## Cairns N6A Houston Leather Helmet Assemble-To-Order Matrix

Model	Color	Size	Eye Protection**	Earlap	Front Holder	Chinstrap	Trim Type	Trim Color
1 Leather N6A Houston*	1 Black	1 Medium	0 None†	1 Leather/Sateen Liner with Jumbo Nomex Yellow Earlap	1 6" Carved Brass Eagle	1 Nomex with Quick Release	0 None†	1 Lime Yellow
	2 Red	2 Large	1 4" Tuffshield		2 6" Silk Screened Eagle			2 Reflexite (Standard)
2 Leather N6A Houston with Bourkes*	3 Blue		2 Cairns ESS Goggles	2 Leather/Sateen Liner with Jumbo PBI/Kevlar Earlap	3 6" Silk Screened Maltese Cross	2 Nomex with Quick Release & Postman's Slide	3 Scotchlite	3 Red/Orange (Reflexite* & Scotchlite Only)
	4 White		4 ESS Innerzone 3 Goggles		3 Leather/Sateen Liner with Jumbo Nomex Black Earlap			4 6" Carved Brass Beaver
	5 Yellow		5 ESS Innerzone 2 Goggles					5 Lime/Yellow Triple Trim (Scotchlite Only)
	6 Orange		6 ESS Innerzone 1 Goggles					
	7 Natural*		7 4" Gold-Plated Faceshield*					
	8 Green		8 6" Gold-Plated Faceshield*					



\* Not NFPA compliant

\*\* Eye protection (goggles or faceshield) required for NFPA compliance



# CAIRNS 1010 REPLACEMENT PARTS AND EXPLODED VIEW

## 1 Helmet

SHELL 1000, 1010, 1044 — See ATO on page 41

## 2 Reflective Trim Options

RP20Y	Tetrahedrons (20 per sheet), Lime/Yellow (NFPA)
SP20YP	Tetrahedrons (20 per pkg.) Lime/Yellow (NFPA)
SP20RP	Tetrahedrons (20 per pkg.), Red/Orange (NFPA)
RP20R	Tetrahedrons (20 per pkg.) Red/Orange*

## 3 Chinstraps

C922P	Nomex with QRB and Postman Slide
C923P	Nomex with QRB

## 4 Impact Cap and Suspension System

M604P	Impact Cap with Standard Configuration
M604DP	Impact Cap with Deluxe Configuration
M611P	Impact Cap Retention Kit (Tabs, Velcro, Screws)

## 5 RHBP Ratchet Headband

M615P	Headband Retention Tabs (set of 4)
-------	------------------------------------

## 6 Cushion Liners

LK27P	Economy Flannel Headband and Ratchet Liner
LK28P	Standard Flannel Headband and Ratchet Liner
LK29P	Deluxe Leather Headband, Ratchet Liner and Flannel Crown Pad

## 6 A LCPP Flannel Crown Pad

## 7 Faceshield Hardware

S918P	Hardware Kit, Glass Reinforced
S103P	Bourke Hardware Kit
S950P	"E" Clips for Faceshield (50 per pk)
S204P	Wing Protectors for 4" Faceshield (pair)
S206P	Wing Protectors for 6" Faceshield (pair)

## 8 Face/Eye Protection

10071006	4" Tuffshield, with Wing Protectors
S601GP	4" Gold Coated, Faceshield
S606GP	6" Gold Coated, Faceshield
S550P	Cairns ESS Goggle
S555P	Cairns ESS Goggle Tear Off Lens Covers (6 pack)
S556P	Cairns ESS Goggle Replacement Lens
S10KP	Bourke and Hardware ◊

## 9 Earlaps/Protective Hoods

L655XP	Yellow Nomex Earlap
L655G	Black Nomex Earlap
L655AP	Nomex Earlap with Under Chin Extension
L955P	PBI/Kevlar Earlap
L955AP	PBI/Kevlar Earlap with Under Chin Extension
L945P	Bloodborne Pathogen Resistant Earlap
10041994	CFR, Aluminized PBI/Kevlar Shroud with Nomex Earlap
10041992	CFR, Aluminized PBI/Kevlar Bonnet

## 10 Front Holder Options

M16P	Mounting Bracket for 6" Fronts
------	--------------------------------

M8P	Carved Brass Eagle 6" Front Holder
M9P	Silk-Screened Eagle 6" Front Holder
M6P	Silk-Screened Maltese Cross 6" Front Holder
10071259	Carved Brass Beaver 6" Front Holder

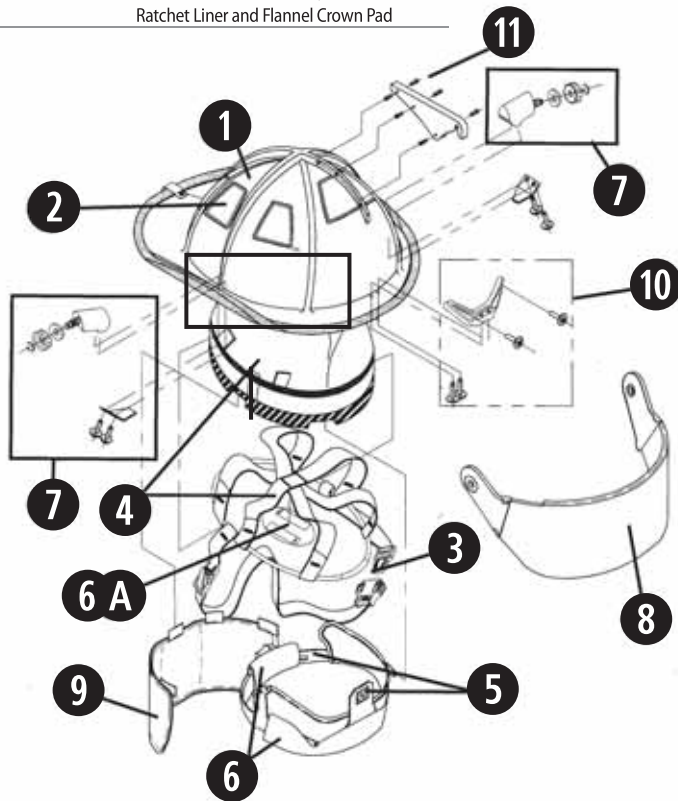
## Edge Trim/Helmet Hanger

M4P	Helmet Hanger with 3/4" D-Ring
M5P	Black Edge Beading and M4P
M5P-0001	White Edge Beading and M4P

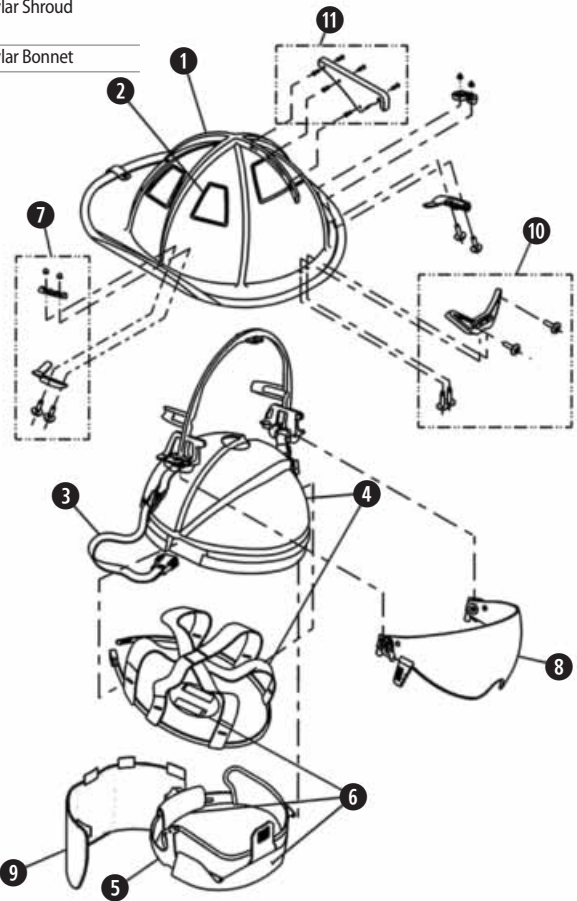
\* Not NFPA compliant.

◊ For cosmetic purposes only. Provides no eye or face protection.

For Fronts, Accessories and Reflective Trim, see pages 60-69.



Cairns 1010



Cairns 1010 Defender



# CAIRNS 1010 DEFENDER REPLACEMENT PARTS AND EXPLODED VIEW

## Cairns 1010 Traditional Style Helmet Assemble-To-Order Matrix

Model	Color	Eye Protection**	Headband Liners	Earlaps	Front Holder	Chinstrap	Trim Type	Trim Color
1 Cairns 1010	1 Black	0 None*	1 Economy Flannel	1 Yellow Nomex	0 None	1 Nomex with Quick Release	0 None*	1 Lime Yellow
2 Cairns 1010 with Bourkes**	2 Red	1 4" Tuffshield	2 Standard Flannel	2 Yellow Nomex with Underchin Extension	1 6" Carved Brass Eagle	2 Nomex with Quick Release & Postman's Slide	2 Reflexite (Standard)	3 Red/Orange (Reflexite & Scotchlite Only)*
9 Cairns 1010 with Defender Visor■	3 Blue	2 Cairns ESS Goggles	3 Deluxe Leather with Crown Pad	3 PBI/Kevlar	2 6" Silk Screened Eagle	3 Scotchlite	3 Scotchlite	5 Red/Orange Triple Trim (Scotchlite Only)
A Cairns 1010 Defender with Bourkes■	4 White	4 ESS Innerzone III Goggles		4 PBI/Kevlar with Underchin Extension	3 6" Silk Screened Maltese Cross			6 Lime/Yellow Triple Trim (Scotchlite Only)
D Cairns 1010 Defender with Faceshield■	5 Yellow	5 ESS Innerzone II Goggles		5 Bloodborne Pathogen Resistant	6 6" Carved Brass Beaver ‡			
	6 Orange	6 ESS Innerzone I Goggles		9 CFR Aluminized Bonnet with PBI/Kevlar Shroud & Nomex Earlap				
	7 Green	7 4" Gold-Coated Faceshield*		A Black Nomex				
		8 6" Gold-Coated Faceshield*						
		B Defender Visor, Clear■						
		C Defender Tuffshield■						

\* Not NFPA compliant

\*\* Eye protection (goggles or faceshield) required for NFPA compliance

‡ Available only with 5" front holder

■ Must specify Defender Visor in both Model and Eye Protection selections



### 1 Helmet

SHELL 1010 Defender, 1044 Defender  
— See ATO above

### 2 Reflective Trim Options

RP20Y	Tetrahedrons (20 per sheet), Lime/Yellow (NFPA)
SP20YP	Tetrahedrons (20 per pkg.) Lime/Yellow (NFPA)
SP20RP	Tetrahedrons (20 per pkg.), Red/Orange (NFPA)
RP20R	Tetrahedrons (20 per pkg.) Red/Orange*

### 3 Chinstraps

C892P	Nomex Chinstrap Replacement w/Quick Release Buckle, Defender
C893P	Nomex Chinstrap Replacement w/Quick Release Buckle & Postman's Slide, Defender

### 4 Impact Cap and Suspension System

10077038	Impact Cap Assembly w/Quick Release Chinstrap, Clear, Defender
10077039	Impact Cap Assembly w/Quick Release Chinstrap, Amber Tuffshield, Defender
10077040	Impact Cap Assembly w/Quick Release Chinstrap, Smoke, Defender*
10077111	Impact Cap Assembly w/Quick Release Chinstrap, Mirror, Defender*
10077112	Impact Cap Assembly w/Quick Release & Postman's Slide Chinstrap, Clear, Defender
10077113	Impact Cap Assembly w/Quick Release & Postman's Slide Chinstrap, Amber Tuffshield, Defender
10077114	Impact Cap Assembly w/Quick Release & Postman's Slide Chinstrap, Smoke, Defender
10077115	Impact Cap Assembly w/Quick Release & Postman's Slide Chinstrap, Mirror, Defender

5 RHBP Ratchet Headband

### 6 Cushion Liners

LK27P	Economy Flannel Headband and Ratchet Liner
LK28P	Standard Flannel Headband and Ratchet Liner
LK29P	Deluxe Leather Headband, Ratchet Liner and Flannel Crown Pad

### 7 Faceshield Hardware

10077121 Tab, Retainer, Replacement Defender

### 8 Face/Eye Protection

10077117	Defender Lens Assembly, Clear
10077118	Defender Lens Assembly, Amber Tuffshield
10077119	Defender Lens Assembly, Smoke*
10077120	Defender Lens Assembly, Mirrored*
10074432	Heat Shield for Defender Visor

### 9 Earlaps/Protective Hoods

10075773	Yellow Nomex Earlap, Defender
10075774	PBI/Kevlar Earlap, Defender
10075775	Bloodborne Pathogen Resistant Earlap
10075776	Black Nomex Earlap, Defender
10075777	PBI/Kevlar Earlap with Under Chin Extension
10075778	Yellow/Kevlar Earlap with Under Chin Extension

### 10 Front Holder Options

M16P Mounting Bracket for 6" Fronts

### 11 Front Holder Options

M8P	Carved Brass Eagle 6" Front Holder
M9P	Silk-Screened Eagle 6" Front Holder
M6P	Silk-Screened Maltese Cross 6" Front Holder
10071259	Carved Brass Beaver 6" Front Holder

\* Not NFPA compliant.

For Fronts, Accessories and Reflective Trim, see pages 60-69.



# CAIRNS 1044 REPLACEMENT PARTS AND EXPLODED VIEW

## 1 Helmet

SHELL 1044 — See ATO on page 43

## 2 Reflective Trim Options

RP20Y	Tetrahedrons (20 per sheet), Lime/Yellow (NFPA)
SP20YP	Tetrahedrons (20 per pkg.) Lime/Yellow (NFPA)
SP20RP	Tetrahedrons (20 per pkg.), Red/Orange (NFPA)
RP20R	Tetrahedrons (20 per pkg.) Red/Orange*

## 3 Chinstraps

C922P	Nomex with QRB and Postman Slide
C923P	Nomex with QRB

## 4 Impact Cap and Suspension System

M604P	Impact Cap with Standard Configuration
M604DP	Impact Cap with Deluxe Configuration
M611P	Impact Cap Retention Kit (Tabs, Velcro, Screws)
RHBP	Ratchet Headband
M615P	Headband Retention Tabs (set of 4)

## 6 Cushion Liners

LK27P	Economy Flannel Headband and Ratchet Liner
LK28P	Standard Flannel Headband and Ratchet Liner
LK29P	Deluxe Leather Headband, Ratchet Liner and Flannel Crown Pad

## 6A LCPP

Flannel Crown Pad

## 7 Faceshield Hardware

S918P	Hardware Kit, Glass Reinforced
S103P	Bourke Hardware Kit
S950P	"E" Clips for Faceshield (50 per pk)
S204P	Wing Protectors for 4" Faceshield (pair)
S206P	Wing Protectors for 6" Faceshield (pair)

## 8 Face/Eye Protection

10071006	4" Tuffshield, with Wing Protectors
S601GP	4" Gold Coated, Faceshield*
S606GP	6" Gold Coated, Faceshield*
S550P	Cairns ESS Goggle
S555P	Cairns ESS Goggle Tear Off Lens Covers (6 pack)
S556P	Cairns ESS Goggle Replacement Lens
S10KP	Bourke and Hardware ◊

## 9 Earlaps/Protective Hoods

L655XP	Yellow Nomex Earlap
L655G	Black Nomex Earlap
L655AP	Nomex Earlap with Under Chin Extension
L955P	PBI/Kevlar Earlap
L955AP	PBI/Kevlar Earlap with Under Chin Extension
L945P	Bloodborne Pathogen Resistant Earlap
10041994	CFR, Aluminized PBI/Kevlar Shroud with Nomex Earlap
10041992	CFR, Aluminized PBI/Kevlar Bonnet

## 10 Front Holder Options

M16P Mounting Bracket for 6" Fronts

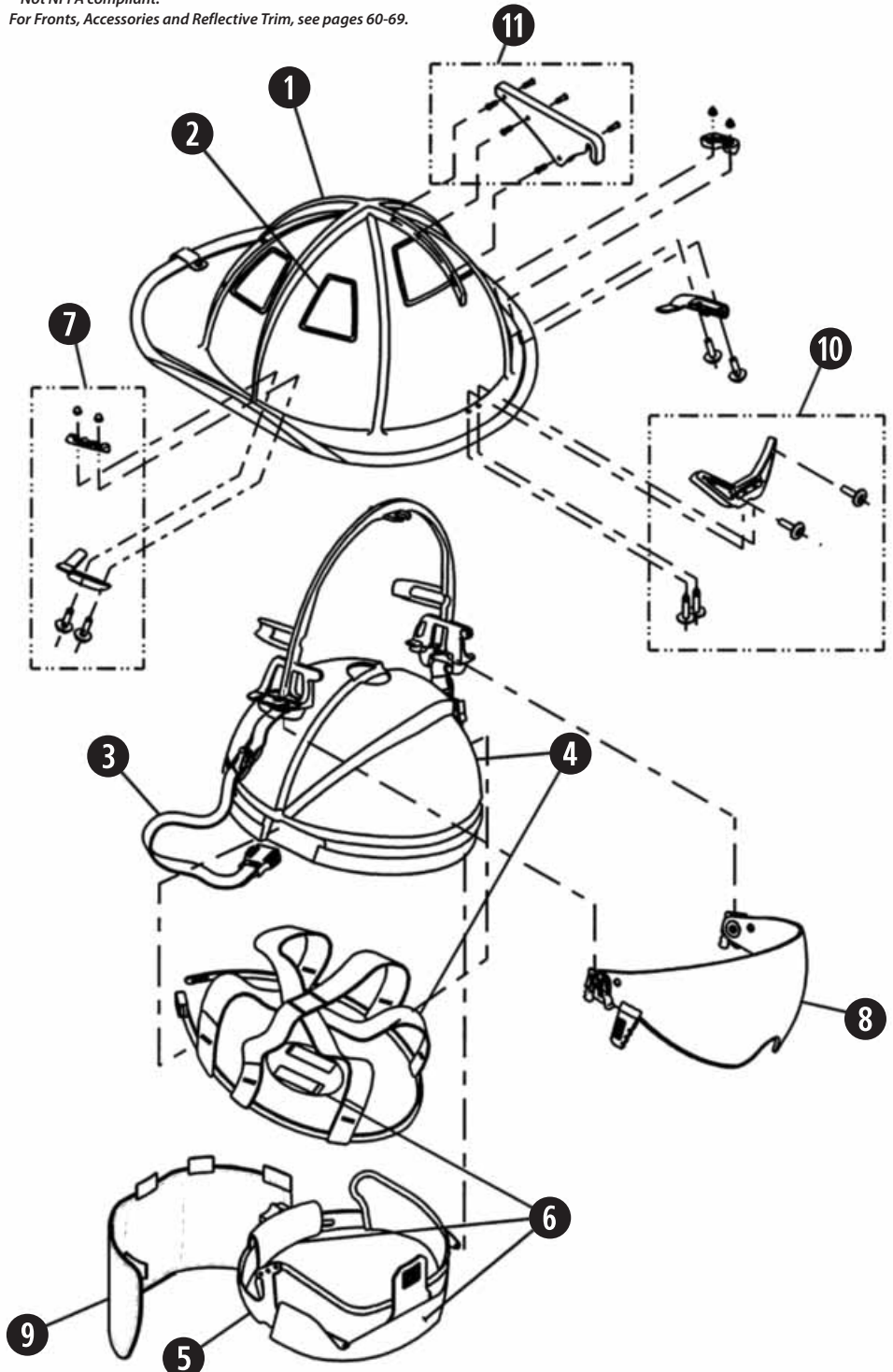
M8P	Carved Brass Eagle 6" Front Holder
M9P	Silk-Screened Eagle 6" Front Holder
M6P	Silk-Screened Maltese Cross 6" Front Holder
10071259	Carved Brass Beaver 6" Front Holder

## Edge Trim/Helmet Hanger

M4P	Helmet Hanger with 3/4" D-Ring
M5P	Black Edge Beading and M4P
M5P-0001	White Edge Beading and M4P

\* Not NFPA compliant.

For Fronts, Accessories and Reflective Trim, see pages 60-69.







## 880 TRADITION REPLACEMENT PARTS AND EXPLODED VIEW

### 1 Helmet

SHELL 880 Tradition — See ATO on page 45

### 2 Reflective Trim Options

RP20Y	Tetrahedrons (20 per sheet), Lime/Yellow (NFPA)
SP20YP	Tetrahedrons (20 per pkg.) Lime/Yellow (NFPA)
SP20RP	Tetrahedrons (20 per pkg.), Red/Orange (NFPA)
RP20R	Tetrahedrons (20 per pkg.) Red/Orange*

### 3 Chinstraps (Pre 2011)

C89P	Nomex with QRB
10046712	Nomex with QRB and Postman Buckle

### 4 Impact Cap and Suspension System

10049740	Impact Cap Standard Configuration (includes Chin Strap)
10046380	Impact Cap Retainer Clip (each)

### 5 10046721 Ratchet Headband System

### 6 Cushion Liners

LK27P	Cushion Liner—Economy Flannel
LK28P	Cushion Liner—Standard Flannel
LK29P	Cushion Liner—Deluxe Leather

### 7 Faceshield Hardware

S918P	Faceshield Hardware
-------	---------------------

### 8 Face/Eye Protection

10071006	4" Tuffshield with wing protectors
10037315	4" Standard Faceshield, with Wing Protector
S806CP	6" Standard Faceshield, with Wing Protector
S548P	Innerzone 1
S549P	Innerzone 2
10032882	Innerzone 3
S550P	Cairns ESS Goggle
S10KP	Bourke Hardware

### 9 Earlaps/Protective Hoods

10046723	Yellow Nomex Earlap
10049734	PBI/Kevlar Earlap
10049735	PBI/Kevlar Earlap with Moisture Barrier
10049833	Nomex Earlap with Underchin Extension
10049834	PBI/Kevlar Earlap with Underchin Extension

### 10 Front Mounting Bracket

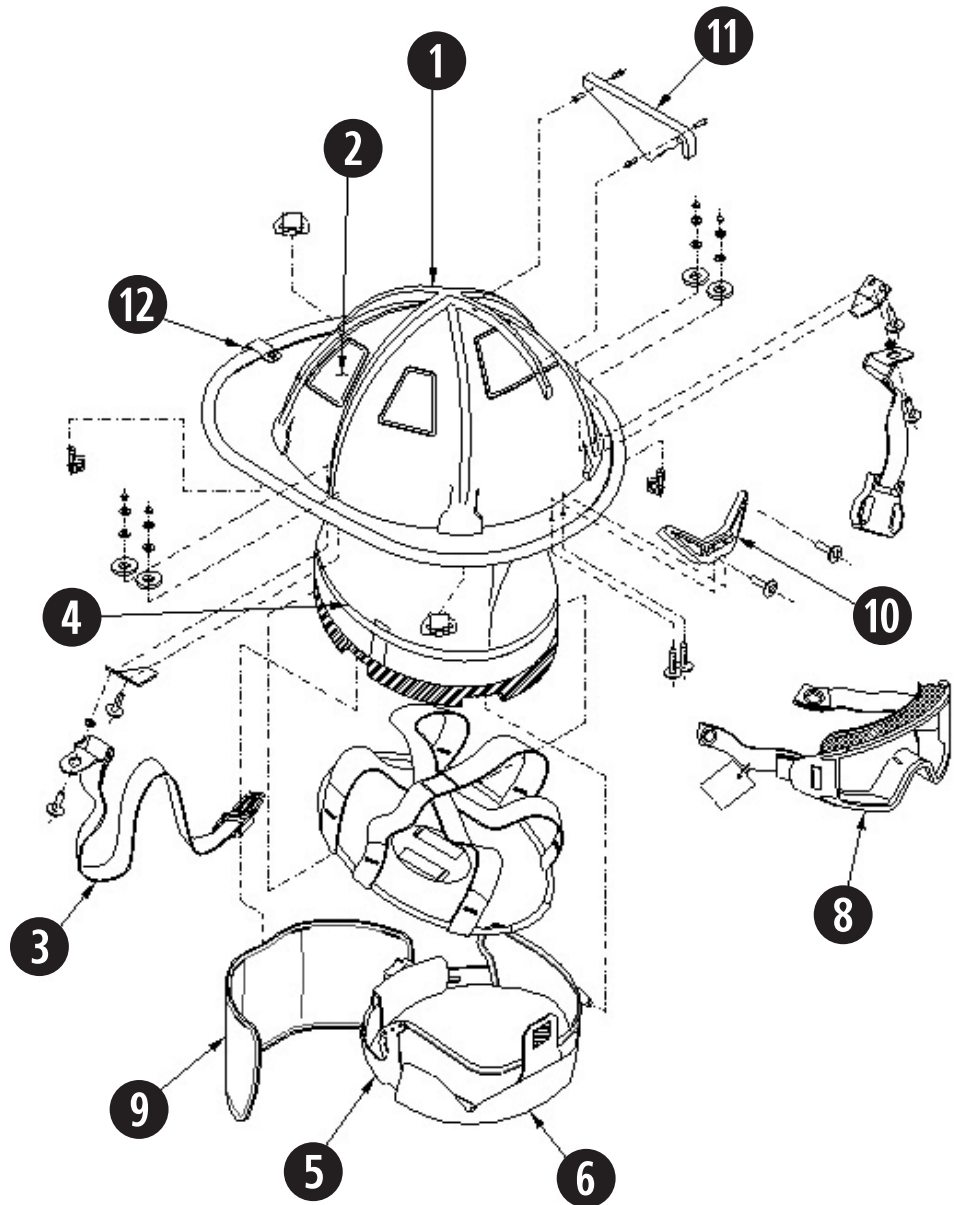
M16P	Mounting Bracket Kit for 880
------	------------------------------

### 11 Front Holder Options

10049736	Silk-Screened Eagle 5" Front Holder
10049737	Silk-Screened Maltese Cross 5" Front Holder
10049738	Silk-Screened Eagle 6" Front Holder
10049739	Silk-Screened Maltese Cross 6" Front Holder
10065952	Carved Brass Eagle 6" Front Holder

### 12 Edge Trim/Helmet Hanger

10049831	Helmet Hanger Replacement Kit
10049832	Black Edge Trim Replacement Kit
10062602	White Edge Trim Replacement Kit



\*Not NFPA compliant.

For Fronts, Accessories and Reflective Trim, see pages 60-69.

## 880 Tradition Helmet Assemble-To-Order Matrix

Model	Color	Eye Protection**	Headband Liners	Earlaps	Front Holder	Chinstrap	Trim Type	Trim Color	
5 880 Tradition	1 Black	0 None*	1 Economy Flannel	1 Yellow Nomex	0 None	1 Nomex with Quick Release	0 None*	0 Standard (Lime Yellow)	
6 880 Tradition with Bourkes**	2 Red	1 4" Tuffshield	2 Standard Flannel	2 Yellow Nomex with Underchin Extension	1 6" Carved Brass Eagle	2 Nomex with Quick Release & Postman's Slide	2 Reflexite (Standard)	1 Lime Yellow	
	3 Blue	2 Cairns ESS Goggles	3 Deluxe Leather with Crown Pad	3 PBI/Kevlar	2 6" Silk Screened Eagle		3 Scotchlite	2 White (Reflexite Only)*	
	4 White	4 ESS Innerzone III Goggles		4 PBI/Kevlar with Underchin Extension	3 6" Silk Screened Maltese Cross ††			3 Red/Orange (Reflexite & Scotchlite Only)*	
	5 Yellow	5 ESS Innerzone II Goggles		5 Bloodborne Pathogen Resistant	4 5" Silk Screened Eagle ††			4 Blue (Reflexite Only)*	
	6 Orange	6 ESS Innerzone I Goggles		A Black Nomex		5 5" Silk Screened Maltese Cross			5 Red/Orange Triple Trim (Scotchlite Only)
		7 4" Gold-Coated Faceshield*							6 Lime/Yellow Triple Trim (Scotchlite Only)
		8 6" Gold-Coated Faceshield*							
		9 4" Clear Faceshield ††							

\* Not NFPA compliant

\*\* Eye protection (goggles or faceshield) required for NFPA compliance

‡ Available only with 5" front holder

†† Requires a 5" front

C-TRD-

--	--	--	--	--	--	--	--	--	--	--	--	--	--	--	--	--	--	--	--



# CLASSIC 1000 REPLACEMENT PARTS AND EXPLODED VIEW

## 1 Helmet

SHELL 1000, 1010, 1044

## 2 Reflective Trim Options

RP20Y Tetrahedrons (20 per sheet),  
Lime/Yellow (NFPA)

SP20YP Tetrahedrons (20 per pkg.)  
Lime/Yellow (NFPA)

SP20RP Tetrahedrons (20 per pkg.),  
Red/Orange (NFPA)

RP20R Tetrahedrons (20 per pkg.)  
Red/Orange\*

## 3 Chinstraps

C922P Nomex with QRB and Postman Slide

C923P Nomex with QRB

## 4 Impact Cap and Suspension System

M604P Impact Cap with Standard Configuration

M604DP Impact Cap with Deluxe Configuration

M611P Impact Cap Retention Kit  
(Tabs, Velcro, Screws)

## 5 RHBP Ratchet Headband

M615P Headband Retention Tabs (set of 4)

## 6 Cushion Liners

LK27P Economy Flannel Headband  
and Ratchet Liner

LK28P Standard Flannel Headband  
and Ratchet Liner

LK29P Deluxe Leather Headband,  
Ratchet Liner and Flannel Crown Pad

## 6A LCPP Flannel Crown Pad

## 7 Faceshield Hardware

S918P Hardware Kit, Glass Reinforced

S103P Bourke Hardware Kit

S950P "E" Clips for Faceshield (50 per pk)

S204P Wing Protectors for 4" Faceshield (pair)

S206P Wing Protectors for 6" Faceshield (pair)

## 8 Face/Eye Protection

10071006 4" Tuffshield, with Wing Protectors

S601GP 4" Gold Coated, Faceshield

S606GP 6" Gold Coated, Faceshield

S550P Cairns ESS Goggle

S555P Cairns ESS Goggle Tear Off Lens Covers  
(6 pack)

S556P Cairns ESS Goggle Replacement Lens

S10KP Bourke and Hardware ◊

\* Not NFPA compliant.

◊ For cosmetic purposes only.

Provides no eye or face protection.

For Fronts, Accessories and Reflective Trim, see pages 60-69.

## 9 Earlaps/Protective Hoods

L655XP Yellow Nomex Earlap

L655G Black Nomex Earlap

L655AP Nomex Earlap with Under Chin Extension

L955P PBI/Kevlar Earlap

L955AP PBI/Kevlar Earlap with Under Chin Extension

L945P Bloodborne Pathogen Resistant Earlap

## 10 Front Holder Options

M16P Mounting Bracket for 6" Fronts

## 11 M8P Carved Brass Eagle 6" Front Holder

M9P Silk-Screened Eagle 6" Front Holder

M6P Silk-Screened Maltese Cross 6" Front Holder

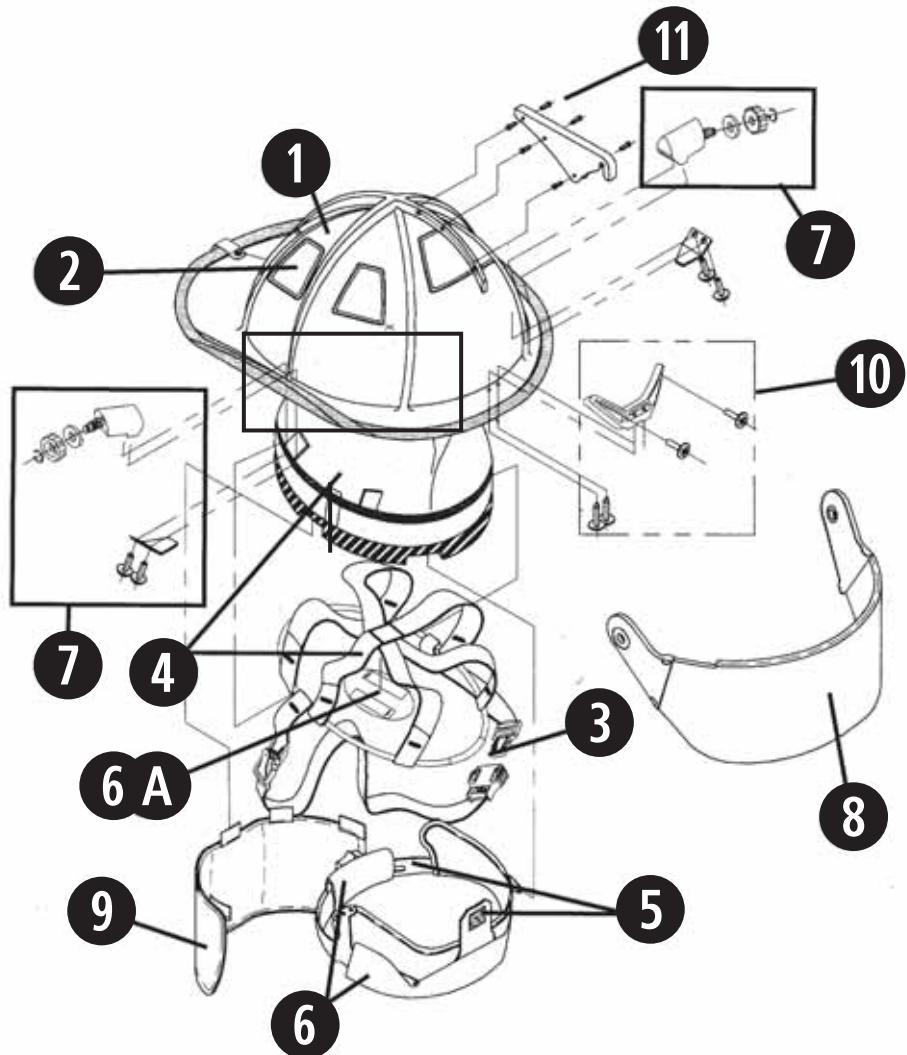
10071259 Carved Brass Beaver 6" Front Holder

## Edge Trim/Helmet Hanger

M4P Helmet Hanger with 3/4" D-Ring

M5P Black Edge Beading and M4P

M5P-0001 White Edge Beading and M4P





## Classic 1000 Traditional Style Helmet Assemble-To-Order Matrix

Model	Color	Eye Protection**	Headband Liners	Earlaps	Front Holder	Chinstrap	Trim Type	Trim Color
1 Classic 1000	1 Black	0 None*	1 Economy Flannel	1 Yellow Nomex	0 None	1 Nomex with Quick Release	0 None*	1 Lime Yellow
2 Classic 1000 with Bourkes**	2 Red	1 4" Tuffshield	2 Standard Flannel	2 Yellow Nomex with Underchin Extension	1 6" Carved Brass Eagle	2 Nomex with Quick Release & Postman's Slide	2 Reflexite (Standard)	3 Red/Orange (Reflexite & Scotchlite Only)*
	3 Blue	2 Cairns ESS Goggles		3 PBI/Kevlar	2 6" Silk Screened Eagle		3 Scotchlite	5 Red/Orange Triple Trim (Scotchlite Only)
	4 White	4 ESS Innerzone 3 Goggles	3 Deluxe Leather with Crown Pad	4 PBI/Kevlar with Underchin Extension	3 6" Silk Screened Maltese Cross	6 Lime/Yellow Triple Trim (Scotchlite Only)		
	5 Yellow	5 ESS Innerzone 2 Goggles		5 Bloodborne Pathogen Resistant	6 6" Carved Brass Beaver			
	6 Orange	6 ESS Innerzone 1 Goggles		A Black Nomex				
	7 Green	7 4" Gold-Coated Faceshield*						
	8 6" Gold-Coated Faceshield*							

\*\* Eye protection (goggles or faceshield) required for NFPA compliance  
 \* Not NFPA compliant



# METRO 660C DEFENDER REPLACEMENT PARTS AND EXPLODED VIEW

## 1 Helmet

SHELL Complete Specify by color — See ATO on page 49

## 2 Reflective Trim Options

RP16EY	Reflexite Bars - Lime/Yellow
SP16YP	Scotchlite Bars - Lime/Yellow
RP16R	Reflexite Bars - Red/Orange*
SP16RP	Scotchlite Bars - Red/Orange

## 3 Chinstraps

C892P	Nomex Chinstrap with QRB
C893P	Nomex Chinstrap with QRB and Postman Slide

## 4 Impact Cap Assemblies

M603P	Impact Cap with Standard Configuration
M603DP	Impact Cap with Deluxe Configuration
M610P	Impact Cap Retention Kit (Tabs, Velcro, Screws)
M615P	Headband Retention Tabs (set of 4)
10096894	with Quick Release Chinstrap, Standard
10096895	with Quick Release & Postman's Slide Chinstrap, Standard
10096896	with Quick Release Chinstrap, Deluxe
10096897	with Quick Release & Postman's Slide
10096795	660/664 Defender Replacement Tab
10080795	Impact Cap Assembly w/Quick Release Chinstrap, Clear Defender, Deluxe with Leather Liner, PBI Kevlar Earlap
10080796	Impact Cap Assembly w/Quick Release Chinstrap, Amber Tuffshield, Deluxe with Leather Liner, PBI Kevlar Earlap
10080797	Impact Cap Assembly w/Quick Release Chinstrap, Smoke Defender, Deluxe with Leather Liner, PBI Kevlar Earlap
10080798	Impact Cap Assembly w/Quick Release Chinstrap, Mirror Defender, Deluxe with Leather Liner, PBI Kevlar Earlap
10080799	Impact Cap Assembly w/Quick Release & Postman's Slide Chinstrap, Clear Defender, Deluxe with Leather Liner, PBI Kevlar Earlap
10080800	Impact Cap Assembly w/Quick Release & Postman's Slide Chinstrap, Amber Tuffshield, Deluxe with Leather Liner, PBI Kevlar Earlap
10080801	Impact Cap Assembly w/Quick Release & Postman's Slide Chinstrap, Smoke Defender, Deluxe with Leather Liner, PBI Kevlar Earlap
10080802	Impact Cap Assembly w/Quick Release & Postman's Slide Chinstrap, Mirror Defender, Deluxe with Leather Liner, PBI Kevlar Earlap

## 5 RHBP

Ratchet Headband System

## 6 Cushion Liners

LK27P	Economy Flannel Headband and Ratchet Liner
LK28P	Standard Flannel Headband and Ratchet Liner
LK29P	Deluxe Leather Headband, Ratchet Liner and Flannel Crown Pad
LCPP	Flannel Crown Pad

## 7 Faceshield Hardware

S910P	Hardware Kit, Glass Reinforced
S950P	"E" Clips for Faceshield (50 per pk)
S204P	Wing Protectors for 4" Faceshield (pair)
S206P	Wing Protectors for 6" Faceshield (pair)

## 8 Face/Eye Protection

10037315	4" Standard Faceshield, with Wing Protectors
S806CP	6" Standard Faceshield, with Wing Protectors
10071006	4" Tuffshield, with Wing Protectors
S601GP	4" Gold Coated, Faceshield*
S606GP	6" Gold Coated, Faceshield*
S550P	Cairns ESS Goggle
S555P	Cairns Goggle Tear Off Lens Covers (6 pack)
S556P	Cairns ESS Goggle Replacement Lens
10077117	Clear Replacement Defender Visor Lens
10077118	Amber Tuffshield Replacement Defender Visor Lens
10077119	Smoke Replacement Defender Visor Lens*
10077120	Mirrored Replacement Defender Visor Lens*

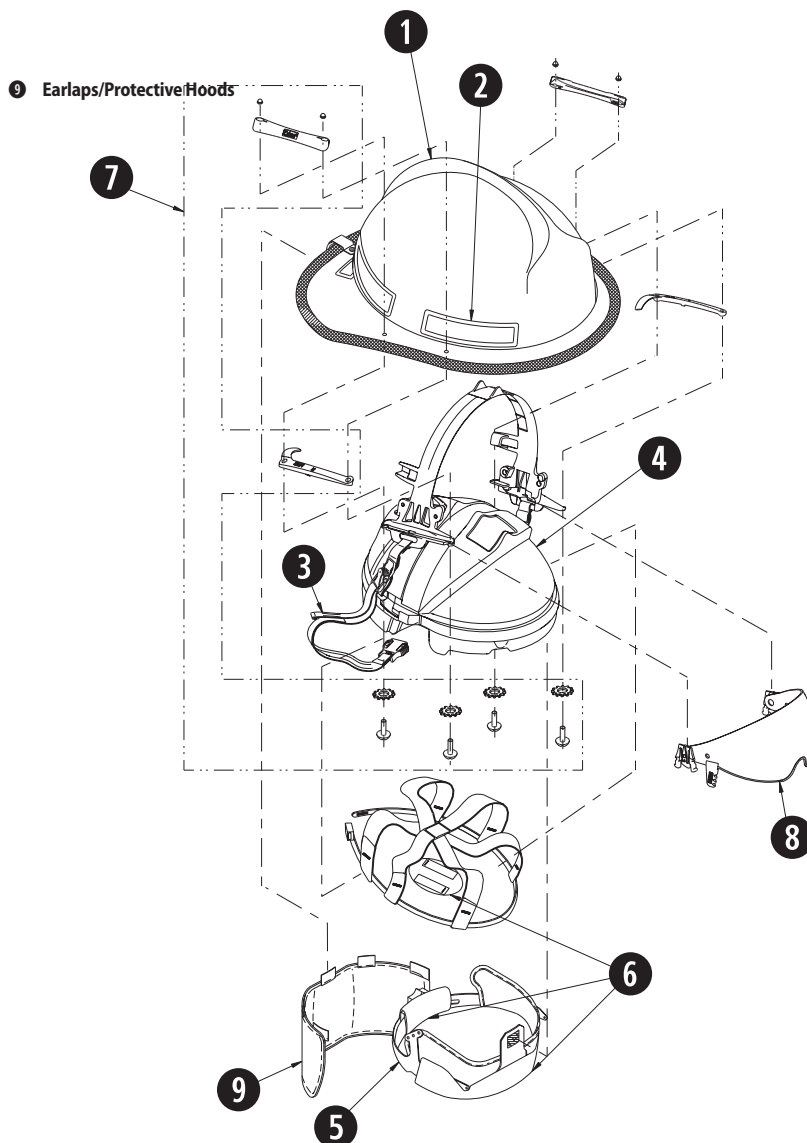
\* Not NFPA compliant.

For Fronts, Accessories and Reflective Trim, see pages 60-69.

L655XP	Yellow Nomex Earlap
L655GP	Black Nomex Earlap
L655AP	Nomex Earlap with Under Chin Extension
L955P	PBI/Kevlar Earlap
L955AP	PBI/Kevlar Earlap with Under Chin Extension
L945P	Bloodborne Pathogen Resistant Earlap
10041994	CFR, Aluminized PBI/Kevlar Shroud with Nomex Earlap
10041993	CFR, Aluminized PBI/Kevlar Bonnet
10075773	Nomex Earlaps, Defender
10075774	PBI / Kevlar Earlaps, Defender

## Edge Trim/Helmet Hanger

M4P	Helmet Hanger with 3/4" D-Ring
M5P	Black Edge Beading and M4P
M5P-0001	White Edge Beading and M4P
M12P	Mounting Bracket for 4" Fronts







# INVADER 664 DEFENDER REPLACEMENT PARTS AND EXPLODED VIEW

## 1 Helmet

SHELL Complete Specify by color — See ATO on page 51

## 2 Reflective Trim Options

RP16EY Reflexite Bars - Lime/Yellow  
 SP16YP Scotchlite Bars - Lime/Yellow  
 RP16R Reflexite Bars - Red/Orange\*  
 SP16RP Scotchlite Bars - Red/Orange

## 3 Chinstraps

C892P Nomex Chinstrap with QRB  
 C893P Nomex Chinstrap with QRB and Postman Slide

## 4 Impact Cap Assemblies

M603P Impact Cap with Standard Configuration  
 M603DP Impact Cap with Deluxe Configuration  
 M610P Impact Cap Retention Kit (Tabs, Velcro, Screws)  
 M615P Headband Retention Tabs (set of 4)  
 10096894 with Quick Release Chinstrap, Standard  
 10096895 with Quick Release & Postman's Slide Chinstrap, Standard  
 10096896 with Quick Release Chinstrap, Deluxe  
 10096897 with Quick Release & Postman's Slide  
 10096795 660/664 Defender Replacement Tab  
 10080795 Impact Cap Assembly w/Quick Release Chinstrap, Clear Defender, Deluxe with Leather Liner, PBI Kevlar Earlap  
 10080796 Impact Cap Assembly w/Quick Release Chinstrap, Amber Tuffshield, Deluxe with Leather Liner, PBI Kevlar Earlap  
 10080797 Impact Cap Assembly w/Quick Release Chinstrap, Smoke Defender, Deluxe with Leather Liner, PBI Kevlar Earlap  
 10080798 Impact Cap Assembly w/Quick Release Chinstrap, Mirror Defender, Deluxe with Leather Liner, PBI Kevlar Earlap  
 10080799 Impact Cap Assembly w/Quick Release & Postman's Slide Chinstrap, Clear Defender, Deluxe with Leather Liner, PBI Kevlar Earlap  
 10080800 Impact Cap Assembly w/Quick Release & Postman's Slide Chinstrap, Amber Tuffshield, Deluxe with Leather Liner, PBI Kevlar Earlap  
 10080801 Impact Cap Assembly w/Quick Release & Postman's Slide Chinstrap, Smoke Defender, Deluxe with Leather Liner, PBI Kevlar Earlap  
 10080802 Impact Cap Assembly w/Quick Release & Postman's Slide Chinstrap, Mirror Defender, Deluxe with Leather Liner, PBI Kevlar Earlap

## 5 RHBP

Ratchet Headband System

## 6 Cushion Liners

LK27P Economy Flannel Headband and Ratchet Liner  
 LK28P Standard Flannel Headband and Ratchet Liner  
 LK29P Deluxe Leather Headband, Ratchet Liner and Flannel Crown Pad  
 LCPP Flannel Crown Pad

## 7 Faceshield Hardware

S910P Hardware Kit, Glass Reinforced  
 S950P "E" Clips for Faceshield (50 per pk)  
 S204P Wing Protectors for 4" Faceshield (pair)  
 S206P Wing Protectors for 6" Faceshield (pair)

## 8 Face/Eye Protection

10037315 4" Standard Faceshield, with Wing Protectors  
 S806CP 6" Standard Faceshield, with Wing Protectors  
 10071006 4" Tuffshield, with Wing Protectors  
 S601GP 4" Gold Coated, Faceshield\*  
 S606GP 6" Gold Coated, Faceshield\*  
 S550P Cairns ESS Goggle  
 S555P Cairns Goggle Tear Off Lens Covers (6 pack)  
 S556P Cairns ESS Goggle Replacement Lens  
 10077117 Clear Replacement Defender Visor Lens  
 10077118 Amber Tuffshield Replacement Defender Visor Lens  
 10077119 Smoke Replacement Defender Visor Lens\*  
 10077120 Mirrored Replacement Defender Visor Lens\*

\* Not NFPA compliant.

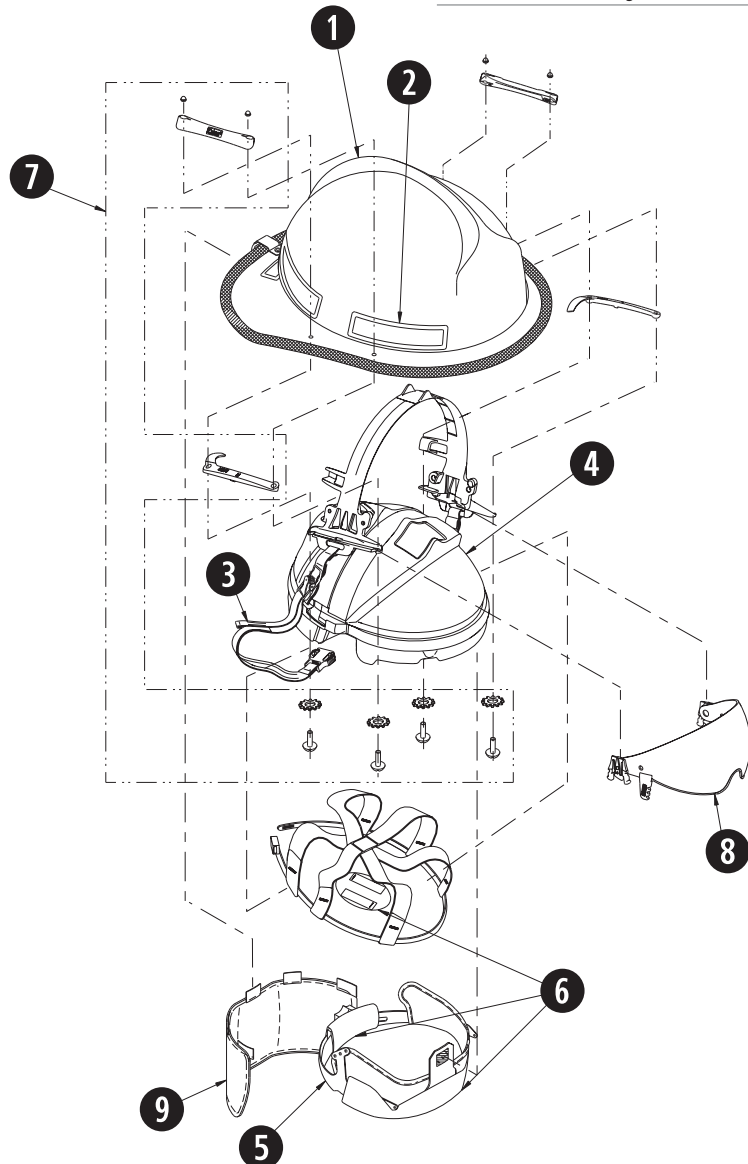
For Fronts, Accessories and Reflective Trim, see pages 60-69.

## 9 Earlaps/Protective Hoods

L655XP Yellow Nomex Earlap  
 L655GP Black Nomex Earlap  
 L655AP Nomex Earlap with Under Chin Extension  
 L955P PBI/Kevlar Earlap  
 L955AP PBI/Kevlar Earlap with Under Chin Extension  
 L945P Bloodborne Pathogen Resistant Earlap  
 10041994 CFR, Aluminized PBI/Kevlar Shroud with Nomex Earlap  
 10041993 CFR, Aluminized PBI/Kevlar Bonnet  
 10075773 Nomex Earlaps, Defender  
 10075774 PBI / Kevlar Earlaps, Defender

## Edge Trim/Helmet Hanger

M4P Helmet Hanger with 3/4" D-Ring  
 MSP Black Edge Beading and M4P  
 MSP-0001 White Edge Beading and M4P  
 M12P Mounting Bracket for 4" Fronts





## 360S STRUCTURAL REPLACEMENT PARTS AND EXPLODED VIEW

### 1 Helmet

SHELL Complete Specify by color — See ATO on page 53

### 2 Reflective Trim Options

RT17Y	Reflexite Bars - Lime/Yellow (4 per pkg.)
ST17Y	Scotchlite Bars - Lime/Yellow (4 per pkg.)
RP16R	Reflexite Bars - Red/Orange*
SP16RP	Scotchlite Bars - Red/Orange

### 3 Chinstraps

C892P	Nomex with QRB
C893P	Nomex QRB and Postman Slide
C893LP	Nomex with QRB and Postman Slide (3" longer)

### 4 Impact Cap and Suspension System

M802P Impact Cap with Overhead Suspension

### 5 RHBP Ratchet Headband System

### 6 Cushion Liners

LK27P	Economy Flannel Headband and Ratchet Liner
LK28P	Standard Flannel Headband and Ratchet Liner
LK29P	Deluxe Leather Headband, Ratchet Liner and Flannel Crown Pad

### 7 Faceshield Hardware

S912P	Hardware Kit, Glass Reinforced
S950P	"E" Clips for Faceshield (50 per pk)
S204P	Wing Protectors for 4" Faceshield (pair)
S206P	Wing Protectors for 6" Faceshield (pair)

### 8 Face/Eye Protection

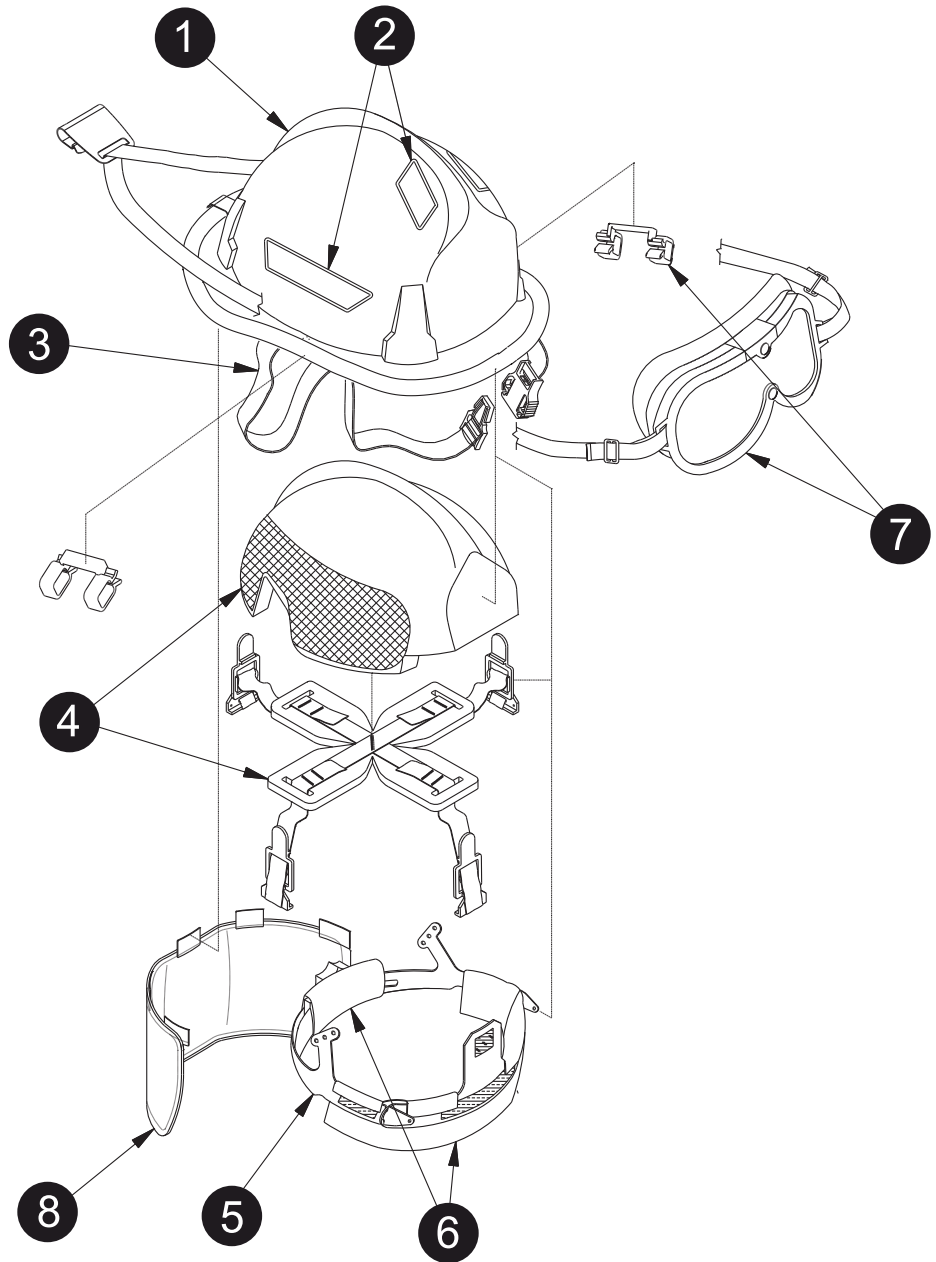
10037315	4" Standard Faceshield, with Wing Protectors
S806CP	6" Standard Faceshield, with Wing Protectors
S901P	4" Tuffshield, without Wing Protectors
10071006	4" Tuffshield, with Wing Protectors
S555P	Cairns ESS Goggle Tear Off Lens Covers (6 pack)
S556P	Cairns ESS Goggle Replacement Lens

### 9 Earlaps/Protective Hoods

L655XP	Yellow Nomex Earlap
L655G	Black Nomex Earlap
L655AP	Nomex Earlap with Under Chin Extension
L955P	PBI/Kevlar Earlap
L955AP	PBI/Kevlar Earlap with Under Chin Extension
L945P	Bloodborne Pathogen Resistant Earlap
L680P	Forestry Shroud (For Structural 360 Only)

### Edge Trim/Helmet Hanger

M4P	Helmet Hanger with 3/4" D-Ring
M5P	Black Edge Beading and M4P
M5P-0001	White Edge Beading and M4P
M12P	Mounting Bracket for 4" Fronts



\* Not NFPA compliant.

For Fronts, Accessories and Reflective Trim, see pages 60-69.



### 360S Structural Modern Style Helmet Assemble-To-Order Matrix

Model	Color	Eye Protection**	Headband Liners	Earlaps	Chinstrap	Trim Type	Trim Color <sup>x</sup>	Trim Shape	Accessory Bracket
6 360 Structural	1 2 3 4 5 6 7	0 None*	1 Economy Flannel	1 Yellow Nomex	1 Nomex with Quick Release	0 None*	0 Standard (Lime Yellow)	0 Standard	0 None
		1 4" Tuffshield	2 Standard Flannel	2 Yellow Nomex with Underchin Extension	2 Nomex with Quick Release & Postman's Slide	2 Reflexite (Standard)	1 Lime Yellow	1 Tetrabar	9 Frontpiece Bracket
		2 Cairns ESS Goggles	3 Deluxe Leather with Crown Pad	3 PBI/Kevlar	3 PBI/Kevlar with Underchin Extension	3 Scotchlite	2 Red/Orange*	2 Diamond	
		4 ESS Innerzone 3 Goggles		4 PBI/Kevlar	4 Nomex with Postman's Slide		3 Blue (Reflexite Only)*	3 Triple Trim* (Scotchlite only)	
		5 ESS Innerzone 2 Goggles		5 Bloodborne Pathogen Resistant	4 6" longer Nomex with Postman's Slide		4 White*		
		6 ESS Innerzone 1 Goggles		9 CFR Aluminized Bonnet with PBI/Kevlar Shroud & Nomex Earlap					
		7 4" Standard Faceshield		A Black Nomex					
		8 6" Standard Faceshield							
		9 4" Gold-Coated Faceshield							
		A 6" Gold-Coated Faceshield							
		B ESS Striketeam XTO Goggle							

x Not all colors available in all types and shapes  
 \*\* Eye protection (goggles or faceshield) required for NFPA compliance  
 \* Not NFPA compliant



# HP3 DEFENDER REPLACEMENT PARTS AND EXPLODED VIEW

## 1 Helmet

SHELL Complete Specify by color — See ATO on page 55

## 2 Reflective Trim Options

RT18Y Reflexite Bars - Lime/Yellow (4 per pkg.)  
 ST18Y Scotchlite Bars - Lime/Yellow (4 per pkg.)  
 RP16R Reflexite Bars - Red/Orange\*  
 SP16RP Scotchlite Bars - Red/Orange

## 3 Chinstraps

C892P Nomex Chinstrap with QRB  
 C893P Nomex Chinstrap with QRB and Postman Slide  
 C893LP Nomex with QRB and Postman Slide (3" longer)

## 4 Impact Cap and Suspension System

M615P Headband Retention Tabs (set of 4)  
 M6HP HP3 Retention Kit (no faceshield)  
 10096828 HP3 Impact Cap Assembly with Quick Release Chinstrap, Standard  
 10096829 HP3 Impact Cap Assembly with Quick Release & Postman's Slide Chinstrap, Standard  
 10096830 HP3 Impact Cap Assembly with Quick Release 3 Point Chinstrap, Standard  
 10096891 HP3 Impact Cap Assembly with Quick Release Chinstrap, Deluxe  
 10096892 HP3 Impact Cap Assembly with Quick Release & Postman's Slide Chinstrap, Deluxe  
 10096893 HP3 Impact Cap Assembly with Quick Release 3 Point Chinstrap, Deluxe  
 10096796 HP3 Defender Replacement Tab

## 5 RHBP

Ratchet Headband System

## 6 Cushion Liners

LK27P Economy Flannel Headband and Ratchet Liner  
 LK28P Standard Flannel Headband and Ratchet Liner  
 LK29P Deluxe Leather Headband, Ratchet Liner and Flannel Crown Pad

## 7 Faceshield Hardware

S620P Hardware Kit, Glass Reinforced  
 S950P "E" Clips for Faceshield (50 per pk)  
 S204P Wing Protectors for 4" Faceshield (pair)  
 S206P Wing Protectors for 6" Faceshield (pair)

## 8 Face/Eye Protection

10037315 4" Standard Faceshield, with Wing Protectors  
 S806CP 6" Standard Faceshield, with Wing Protectors  
 S901P 4" Tuffshield, without Wing Protectors  
 10071006 4" Tuffshield, with Wing Protectors  
 S555P Cairns ESS Goggle Tear Off Lens Covers (6 pack)  
 S556P Cairns ESS Goggle Replacement Lens  
 10077117 Clear Replacement Defender Visor Lens  
 10077118 Amber Tuffshield Replacement Defender Visor Lens  
 10077119 Smoke Replacement Defender Visor Lens\*  
 10077120 Mirrored Replacement Defender Visor Lens\*

## 9 Earlaps/Protective Hoods

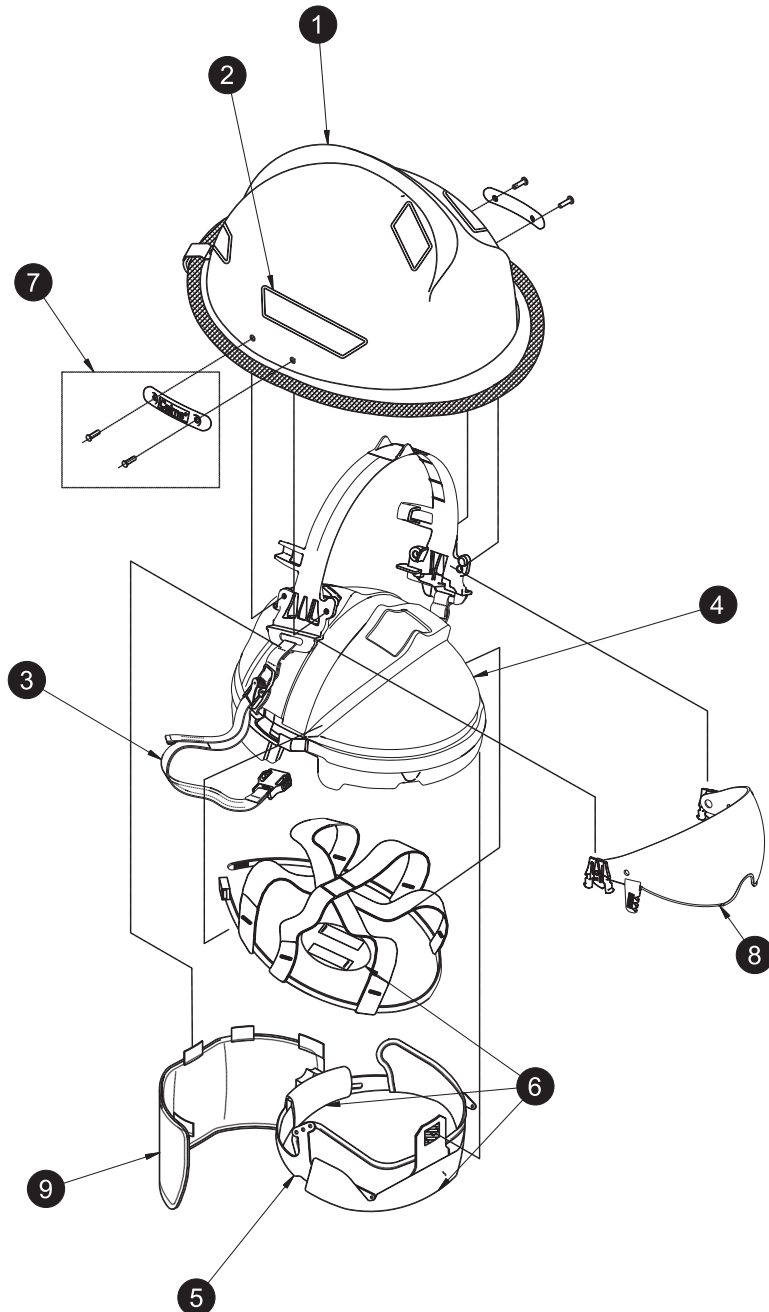
10075773 Nomex Earlaps  
 10075774 PBI / Kevlar Earlaps

## Edge Trim/Helmet Hanger

M4P Helmet Hanger with 3/4" D-Ring  
 M5P Black Edge Beading and M4P  
 M5P-0001 White Edge Beading and M4P  
 M12P Mounting Bracket for 4" Fronts

\* Not NFPA compliant.

For Fronts, Accessories and Reflective Trim, see pages 60-69.







# RESCUE 360R REPLACEMENT PARTS AND EXPLODED VIEW

## 1 Helmet

SHELL Complete Specify by color — See ATO on page 57

## 2 Reflective Trim Options

RT18Y	Reflexite Bars - Lime/Yellow (4 per pkg.)
ST18Y	Scotchlite Bars - Lime/Yellow (4 per pkg.)
RP17R*	Reflexite Bars - Red/YOrange (4 per pkg.)
SP16RP	Scotchlite Bars - Red/YOrange (4 per pkg.)

## 3 Chinstraps

C892P	Nomex with QRB
C893P	Nomex QRB and Postman Slide

## 4 Impact Cap and Suspension System

M802P Impact Cap with Overhead Suspension

## 5 RHBP Ratchet Headband System

## 6 Cushion Liners

LK27P	Economy Flannel Headband and Ratchet Liner
LK28P	Standard Flannel Headband and Ratchet Liner

## 7 Eye Protection

10101681	Goggle System and Hardware
S555P	Cairns ESS Goggle Tear Off Lens Covers (6 pack)
S556P	Cairns ESS Goggle Replacement Lens
10101682	Cairns ESS Goggle Replacement

## 8 Earlaps/Protective Hoods

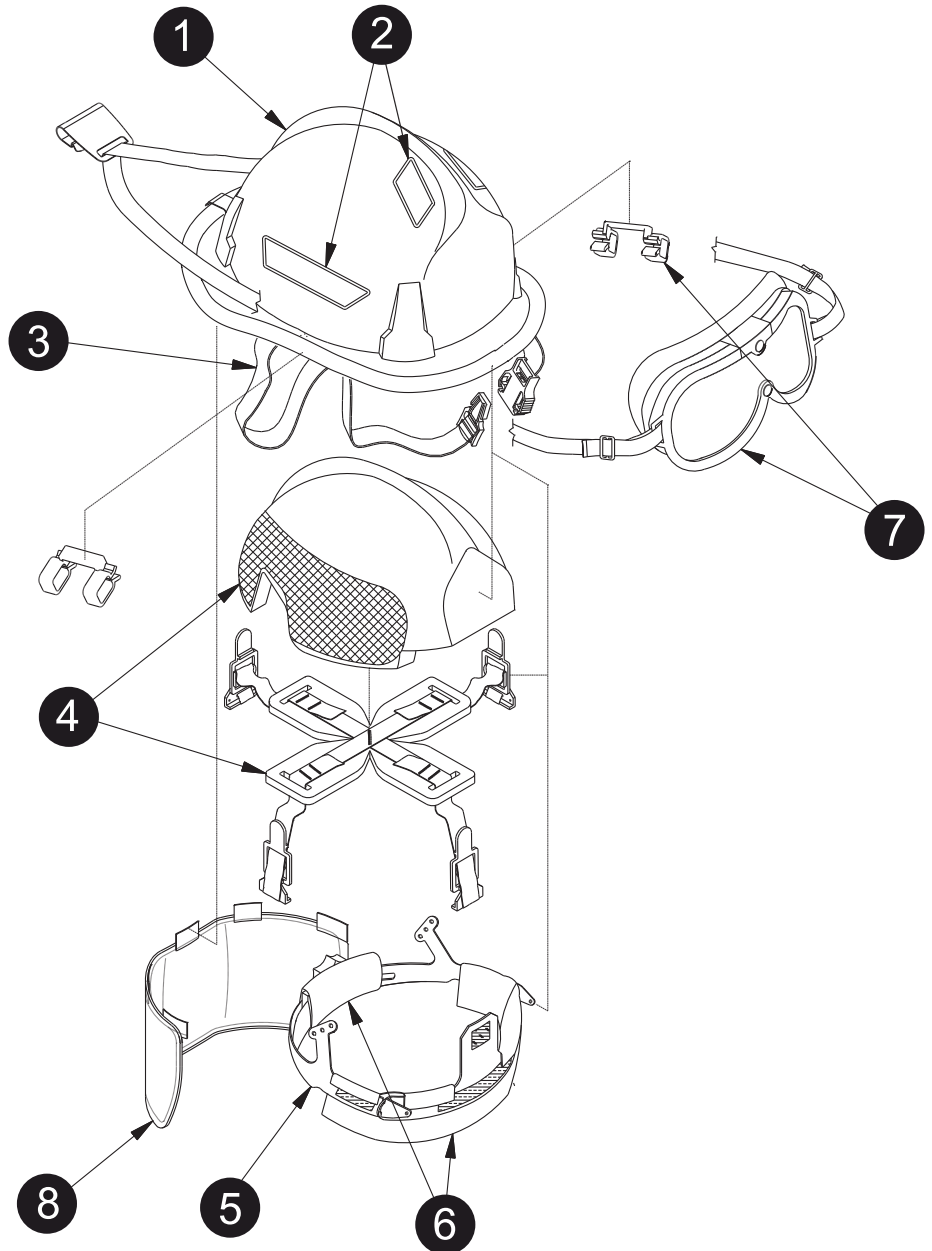
L655XP	Yellow Nomex Earlap
L655G	Black Nomex Earlap
L655AP	Nomex Earlap with Under Chin Extension
L955P	PBI/Kevlar Earlap
L955AP	PBI/Kevlar Earlap with Under Chin Extension
L945P	Bloodborne Pathogen Resistant Earlap

## Edge Trim/Helmet Hanger

M4P	Helmet Hanger with 3/4" D-Ring
M5P	Black Edge Beading and M4P
M5P-0001	White Edge Beading and M4P
10101683	Mounting, Fastener for 4" Fronts

\*Not NFPA compliant.

For Fronts, Accessories and Reflective Trim, see pages 60-69.



## Rescue 360R Helmet Assemble-To-Order Matrix

Model	Color	Eye Protection**	Headband Liners	Earlaps	Chinstrap	Trim Type	Trim Color <sup>x</sup>	Trim Shape	Accessory Bracket
B Rescue 360R	1 Black	0 None*	1 Economy Flannel	1 Yellow Nomex	1 Nomex with Quick Release	0 None*	0 Standard (Lime Yellow)	0 Standard	0 None
	2 Red	2 Cairns ESS Goggles	2 Standard Flannel	2 Yellow Nomex with Underchin Extension	2 Nomex with Quick Release & Postman's Slide	2 Reflexite (Standard)	2 Red/Orange	1 Tetrabar	9 Frontpiece Bracket
	3 Blue	4 ESS Innerzone 3 Goggles	3 Deluxe Leather with Crown Pad	3 PBI/Kevlar	3 6" longer Nomex with Postman's Slide	3 Scotchlite	3 Blue (Reflexite Only)*	2 Bar*	
	4 White	5 ESS Innerzone 2 Goggles		4 PBI/Kevlar with Underchin Extension	4 6" longer Nomex with Postman's Slide		4 White*	3 Diamond	
	5 Yellow	6 ESS Innerzone 1 Goggles		5 Bloodborne Pathogen Resistant	6 3-point with Quick-Release			4 Triple Trim* (Scotchlite only)	
	6 Orange	B ESS Striketeam XTO Goggle		9 CFR Aluminized Bonnet with PBI/Kevlar Shroud & Nomex Earlap					
	7 Green			A Black Nomex					

- <sup>x</sup> Not all colors available in all types and shapes
- \*\* Eye protection (goggles or faceshield) required for NFPA compliance
- \* Not NFPA compliant



# RESCUE 360R-13 REPLACEMENT PARTS AND EXPLODED VIEW

## 1 Helmet

SHELL Rescue 360R-13

## 2 Reflective Trim Options

RT18Y	Reflexite Bars - Lime/Yellow (4 per pkg.)
ST18Y	Scotchlite Bars - Lime/Yellow (4 per pkg.)
RP17R*	Reflexite Bars - Red/YOrange (4 per pkg.)
SP16RP	Scotchlite Bars - Red/YOrange (4 per pkg.)

## 3 Chinstraps

C892P	Nomex with QRB
C893P	Nomex QRB and Postman Slide

## 4 RHBP Ratchet Headband System

## 5 Cushion Liners

LK27P	Economy Flannel Headband and Ratchet Liner
LK28P	Standard Flannel Headband and Ratchet Liner
LK29P	Deluxe Leather Headband, Ratchet Liner and Flannel Crown Pad

## 6 Eye Protection

10101681	Goggle System and Hardware
S555P	Cairns ESS Goggle Tear Off Lens Covers (6 pack)
S556P	Cairns ESS Goggle Replacement Lens
10101682	Cairns ESS Goggle Replacement

## 7 Earlaps

L655XP	Yellow Nomex Earlap
L655G	Black Nomex Earlap
L655AP	Nomex Earlap with Under Chin Extension
L955P	PBI/Kevlar Earlap
L955AP	PBI/Kevlar Earlap with Under Chin Extension
L945P	Bloodborne Pathogen Resistant Earlap

## 8 Suspension

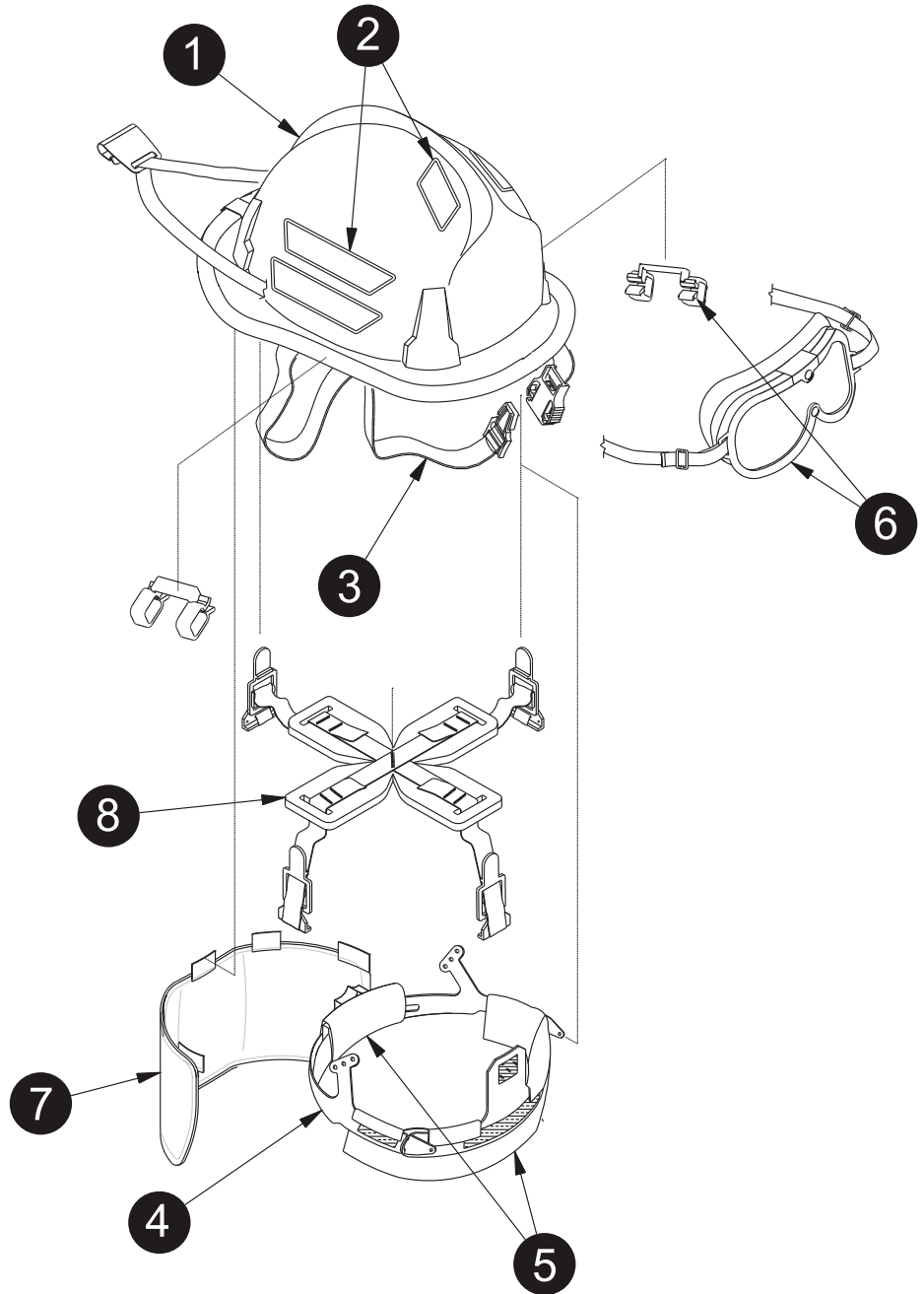
M110P	Overhead Suspension
-------	---------------------

## Edge Trim/Helmet Hanger

M4P	Helmet Hanger with 3/4" D-Ring
M5P	Black Edge Beading and M4P
M5P-0001	White Edge Beading and M4P
10101683	Mounting, Fastener for 4" Fronts

\* Not NFPA compliant.

For Fronts, Accessories and Reflective Trim, see pages 60-69.





## Rescue 360R-13 Helmet Assemble-To-Order Matrix

Model	Color	Eye Protection**	Headband Liners	Earlaps	Chinstrap	Trim Type	Trim Color <sup>x</sup>	Trim Shape	Accessory Bracket
C Rescue 360R-13	1 Black	0 None*	1 Economy Flannel	1 Yellow Nomex	1 Nomex with Quick Release	0 None*	0 Standard (Lime Yellow)	0 Standard	0 None
	2 Red	2 Cairns ESS Goggles	2 Standard Flannel	2 Yellow Nomex with Underchin Extension	2 Nomex with Quick Release & Postman's Slide	2 Reflexite (Standard)	2 Red/Orange	1 Tetrabar	9 Frontpiece Bracket
	3 Blue	4 ESS Innerzone 3 Goggles	3 Deluxe Leather with Crown Pad	3 PBI/Kevlar	3 6" longer Nomex with Postman's Slide	3 Scotchlite	3 Blue (Reflexite Only)*	2 Bar*	
	4 White	5 ESS Innerzone 2 Goggles		4 PBI/Kevlar with Underchin Extension	4 6" longer Nomex with Postman's Slide		4 White*	3 Diamond	
	5 Yellow	6 ESS Innerzone 1 Goggles		5 Bloodborne Pathogen Resistant	6 3-point with Quick-Release			4 Triple Trim* (Scotchlite only)	
	6 Orange	B ESS Striketeam XTO Goggle		9 CFR Aluminized Bonnet with PBI/Kevlar Shroud & Nomex Earlap					
	7 Green			A Black Nomex					

<sup>x</sup> Not all colors available in all types and shapes

\*\* Eye protection (goggles or faceshield) required for NFPA compliance

\* Not NFPA compliant



## Standard Fronts

### The Choice Is Yours!

Standard fronts offer over 27 million possible configurations! Design your own standard front by choosing from the options and then indicating your preferences by calling 1-877-MSA-FIRE to place your order.

#### Top Layer **A**

- Available in high-gloss patent leather or low-gloss 100% natural leather
- Both leathers available in your choice of 9 colors: white, red, black, blue, yellow, green, orange, brown, or gold patent (hand-painted gold leaf on printed gold available separately, see pp. 56-57)
- Both leathers reinforced with a high-temperature, shrink-resistant back layer and sewn with high-temperature, fire-retardant Nomex thread



high-gloss patent leather



low-gloss natural leather

#### Print Layer **B**

- Available in 9 colors of high-temperature nylon: white, red, black, blue, yellow, green, orange, brown, or gold foil
- Also available in reflective Scotchlite™ (white only)

#### Lettering **C**

- ½" tall, except on Mini Fronts
- Maximum of 4 lines with up to 14 characters per line
- Available in 9 colors: white, red, black, blue, yellow, green, orange, brown, or gold foil
- Also available in reflective Scotchlite™ (white only)



#### Graphics **D**

Choose from:

##### (AG) Attached Graphics — Choice of:

- raised or sunken numbers
- sunken fleur-de-lis
- metal badges (shown above)
- decals

##### (PG) Printed Graphics — Choice of:

- printed graphic symbol
- number.

##### (NG) No Graphics

### 6-INCH FRONTS – FOR USE ON ALL TRADITIONAL HELMETS 5-INCH FRONTS – FOR USE ON 880 TRADITION HELMET ONLY

**Note:** The styles depicted below are shown on 6-inch fronts, but may be ordered for both 6-inch and 5-inch fronts. A sample 5-inch front is shown at right.

#### 1 Line of Text



Style #  
6-inch 19 (AG)  
5-inch 150 (AG)



Style #  
20 (PG)  
151 (PG)



Style #  
21 (AG)  
152 (AG)



Style #  
22 (PG)  
153 (PG)



Style #  
23 (AG)  
154 (AG)



Style #  
24 (PG)  
155 (PG)



Sample 5-inch front with 2 lines of text

#### 2 Lines of Text

#### 3 Lines of Text



Style #  
6-inch 25 (AG)  
5-inch 156 (AG)



Style #  
26 (PG)  
157 (PG)



Style #  
27 (AG)  
158 (AG)



Style #  
28 (PG)  
159 (PG)



Style #  
29 (NG)  
160 (NG)



Style #  
30 (NG)  
161 (NG)

#### 4 Lines of Text

**4-INCH FRONTS – FOR USE ON MODERN HELMETS** Available in 9 colors.

1 Line of Text



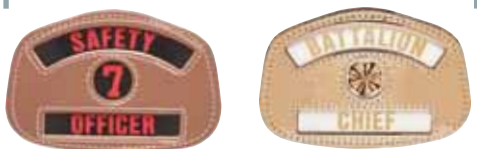
Style #  
31 (AG)

Style #  
32 (PG)

Style #  
33 (AG)

Style #  
34 (PG)

2 Lines of Text



Style #  
35 (AG)

Style #  
36 (PG)

3 Lines of Text



Style #  
37 (NG)

**Mounting Accessories  
for 4" Fronts**

Hook and Loop Kit



Part # 10101683

Plastic Mounting Bracket  
Part # M12P

**8-INCH PARADE FRONTS – FOR USE ON G5A OR G64 PRESENTATION LEATHER HELMET** (8-inch parade-style Eagle required)

1 Line of Text



Style #  
10 (AG)

Style #  
11 (PG)

Style #  
12 (AG)

Style #  
13 (PG)

2 Lines of Text



Style #  
14 (AG)

Style #  
15 (PG)

3 Lines of Text



Style #  
16 (AG)

Style #  
17 (PG)

Style #  
18 (NG)

**3-INCH MINI FRONTS – FOR KEYCHAIN AND MINI HELMET GIFT ITEMS** Available in 9 colors.

1 Line of Text



Style #  
38 (AG)

2 Lines of Text



Style #  
39 (PG)

3 Lines of Text



Style #  
40 (AG)



Style #  
41 (NG)



## Passport Fronts for Firefighter Accountability

- Improve department accountability with simple identification inserts
- NFPA 1971-2007 compliant accessory
- High-temperature, fire-resistant hook-and-loop and pin attachments for easy placement and removal
- Available in all front piece color choices or in white reflective Scotchlite™ for higher visibility

### 6" PASSPORT FRONTS

- System consists of a removable hook-and-loop insert and frame
- Available with sunken, raised, and printed numbers and letters
- Number of letters/numbers that can be printed on insert:
  - Sunken or raised text: 5 numbers, or 4 letters, or 4 mixed
  - Printed text: 14 characters
- Frames **only** come with two lines for text; one or both lines can have text or be left blank
- Individual inserts can be ordered

1, 2, or No Lines of Text



#49 Frame and Insert  
#50 Frame only



#51 Insert only  
(2" x 4")

1, 2, or No Lines of Text



#55 Frame and Insert  
#56 Frame only



#57 Insert only  
(2" x 3-1/2")

### 6" FDNY FRONTS

- System consists of a removable pinned insert and frame
- Available with sunken, raised, and printed numbers and letters
- Number of letters/numbers that can be printed on insert:
  - 5 numbers, or 5 letters, or 5 mixed
- **If front and insert colors are different, order the frame and insert separately**
- 6" frames can be ordered with no lines, one line, or two lines of text
- Individual inserts can be ordered
- Inserts also available with hook and loop instead of pins
- The #43 frame can be ordered with Hot Stamp white numbers **only** on bottom of front

No Text



#42 Frame and Insert  
#43 Frame only

1 Line of Text



#44 Frame and Insert  
#45 Frame only

2 Lines of Text



#46 Frame and Insert  
#47 Frame only



#48 Insert only  
(3" x 4-1/2")

### 6" PASSPORT SYSTEM

- System includes frame and three removable patches—one for the frame itself and one for each side of the helmet
- Inserts available with printed numbers or letters only
- Frames only come with two lines for text; one or both lines can have text or be left blank
- Individual inserts can be ordered

1, 2, or No Lines of Text



#62 System (Frame with 3 Inserts)  
#60 Frame only



#61 One Insert only  
(2-1/2")

### 4" PASSPORT FRONTS

- Available with sunken, raised, and printed numbers and letters
- Number of letters/numbers that can be printed on inserts:
  - #57: 5 numbers, or 4 letters, or 4 mixed
  - #54 (printed text): 14 characters
- Fronts come with either hook & loop or drilled to be attached to a plastic bracket
- 4" frames can be ordered with one line or two lines of text
- Individual inserts can be ordered
- Mounting accessories for 4" fronts: hook & loop kit (P/N 10101683) and plastic mounting bracket (P/N M12P)

1 Line of Text



#58 Frame and Insert  
#59 Frame only



#57 Insert only  
(2" x 3-1/2")

2 Lines of Text



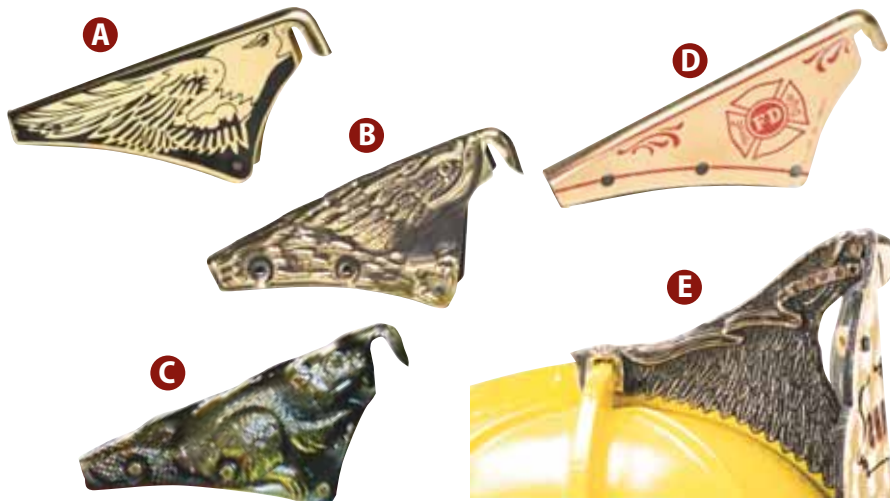
#52 Frame and Insert  
#53 Frame only



#54 Insert only  
(5/8" x 3-1/2")

## Front Holders

<b>A</b>	<b>Silk-Screened Eagle</b>	
	N5A, N6A, 1000, 1010, 1044	M9P
	880 Tradition (6" Front)	10049738
	880 Tradition (5" Front)	10049736
<b>B</b>	<b>Carved Brass Eagle</b>	
	N5A, N6A, 1000, 1010, 1044	M8P
	880 Tradition (6" Front)	10065952
<b>C</b>	<b>Brass Beaver</b>	
	N5A, N6A, 1000, 1010, 1044	10071258
<b>D</b>	<b>Maltese Cross</b>	
	N5A, N6A, 1000, 1010, 1044	M6P
	880 Tradition (6" Front)	10049739
	880 Tradition (5" Front)	10049737
<b>E</b>	<b>Carved Parade Eagle</b>	
	Parade-style (8" Front)	10100839



## Badges for Fronts

Chrome or 24K gold-plated badges are available.

<i>large</i>	FB21A	FB11A	FB21T	FB11T	FB22A	FB12A	FB22T	FB12T		
<i>small</i>	FB251A	FB151A	FB251T	FB151T	FB252A	FB152A	FB252T	FB152T		
<i>large</i>	FB22TX	FB12TX	FB23TX	FB13TX	FB24TX	FB14TX	FB25TX	FB15TX	FB25	FB15
<i>small</i>	FB252TX	FB152TX	FB253TX	FB153TX	FB254TX	FB154TX	FB255TX	FB155TX	FB25S	FB15S

**Sizes**

All fronts use the large size badge (1-5/8") except for the 4" Style #35 fronts, which require the small size badge (1").

*large size (1-5/8")*

*small size (1")*

## Printed Graphics for Fronts

Printed graphics come in three sizes: 1", 1 3/4", 2 1/2". Custom printed graphics available upon request.

A	B	C	D	E	F	M*	N**	O
G	H	I***	J	K	L	P	Q	R

\* EMS: Available in printed format only.

\*\* Available in tin (1.9" size only) or as graphic decal. Not available on Front #35.

\*\*\*Available only as a sunken cutout.

# FRONTS

## Printed Gold Fronts

- Printed in your choice of three styles.
- High-temperature materials are stable up to 500° F.
- Standard designs available in 2-3 weeks.
- Custom designs are available at an additional charge.

### Ordering is Easy!

1. Choose the background you want: satin gold, turned gold, or white with gold accents.
2. Choose the design you want: classic scrolls, classic banners or flaming scroll.
3. Choose the number of lines of text you want from 1-4.

Please call 1-877-MSA-FIRE to discuss your custom artwork or logo applications.

### BACKGROUND STYLES



### STANDARD LOGOS

Nine stock logos are available. For custom logos, call 1-877-MSA-FIRE.



### STANDARD 6" PRINTED GOLD





**STANDARD 8" PRINTED GOLD**



**STANDARD 4" PRINTED GOLD**



**Hand-Painted Gold Leaf Fronts**

- 24K gold leaf hand-applied to a leather front.
- Hand-painted lettering and graphics have an elegant, traditional look that is especially suitable for presentation helmets.
- Protective clear coat adds durability.
- Quality hand-painting takes time. Please allow 2-3 months.

**STANDARD LOGO**

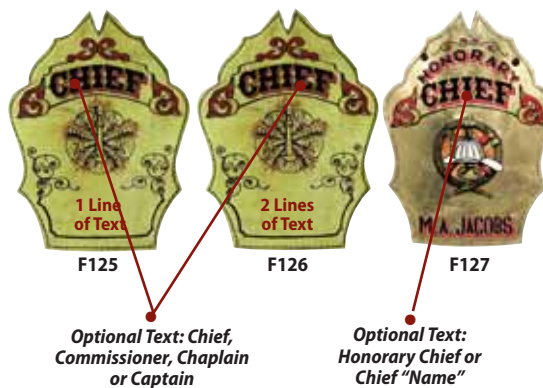
Seven stock logos are available. Please call 1-877-MSA-FIRE to discuss your custom artwork or logo applications.



**STANDARD 6" GOLD LEAF**



**STANDARD 8" GOLD LEAF**



**STANDARD 4" GOLD LEAF**



*Optional Text: Chief, Commissioner, Chaplain or Captain*

*Optional Text: Honorary Chief or Chief "Name"*



# HELMET DECALS

## Decals and Title Tapes

All decals and title tapes are available in either vinyl or reflective Scotchlite. Decal choices are shown below. Custom decals also available.

Decals come in three sizes (1", 1 3/4", 2 1/2") in both Vinyl and Scotchlite materials



Vinyl  
Scotchlite

D101P  
DS101P

D102P  
DS102P

D103P  
DS103P

D104P  
DS104P

D105P  
DS105P

D106P  
DS106P

D107P  
DS107P



Vinyl  
Scotchlite

D108P  
DS108P

D114P  
DS114P

D130P  
DS130P

D109P  
DS109P

D110P  
DS110P

D111P  
DS111P

D112P  
DS112P

D113P  
DS113P

D115P  
DS115P

D129P  
DS129P

D121P  
DS121P



Vinyl  
Scotchlite

D122P  
DS122P

D123P  
DS123P

D124P  
DS124P

D125P  
DS125P

D126P  
DS126P

D127P  
DS127P

D128P  
DS128P

D131P  
DS131P

D133P  
DS133P

D134P  
DS134P

D135P  
DS135P



Vinyl  
Scotchlite

D201P  
DS201P

D202P  
DS202P

D203P  
DS203P

D204P  
DS204P

D205P  
DS205P

D206P  
DS206P

D207P  
DS207P



Vinyl  
Scotchlite

D208P  
DS208P

D209P  
DS209P

D210P  
DS210P

D211P  
DS211P

D212P  
DS212P

D213P  
DS213P

D214P  
DS214P



Vinyl  
Scotchlite

D215P  
DS215P

D216P  
DS216P

D217P  
DS217P

D218P  
DS218P

D219P  
DS219P

D220P  
DS220P

D221P  
DS221P



Vinyl  
Scotchlite

D222P  
DS222P

D223P  
DS223P

D224P  
DS224P

D225P  
DS225P

D226P  
DS226P

D227P  
DS227P

D228P  
DS228P



Vinyl  
Scotchlite

D229P  
DS229P

D230P  
DS230P

D231P  
DS231P

D232P  
DS232P

D233P  
DS233P

D234P  
DS234P

D235P  
DS235P



Vinyl  
Scotchlite

D236P  
DS236P

D237P  
DS237P

D238P  
DS238P

D239P  
DS239P

D240P  
DS240P

10068636  
10068637

10068638  
1006863

CUSTOM  
DECAL  
D99P\*

CUSTOM  
T99P\*  
TS99P\*

Vinyl  
Scotchlite

\* 10 Unit Minimum Required for Custom Decals and Title Tapes

Build your own front  
at **MSAsafety.com**

Creating your own front is easy! Visit **MSAFire.com** to build and see your custom front online. E-mail your order to your nearest MSA authorized distributor.

## Fronts Ordering Form

### Ordering Instructions

Please copy and complete a separate form for each type of front ordered. Give the completed form(s) to your sales representative or fax them to 800-967-0398.

Fronts other than those that can be ordered given the choices below are considered custom fronts. To discuss your custom artwork or logo application needs, please call 1-877-MSA-FIRE or speak with your sales representative.

Company: \_\_\_\_\_

Contact: \_\_\_\_\_

Phone: \_\_\_\_\_

PO #: \_\_\_\_\_

*For office use only below this line*

SO#: \_\_\_\_\_

Shop #: \_\_\_\_\_

### Standard Fronts

Enter your choices in the boxes to the right of each section.

Total Quantity:

#### 1. Style Option

Enter style number from **10 to 59**, or from **150 to 161**

--	--	--

#### 2. Shipping Option

**L** – Loose or **A** – Attached

#### 3. Attachment Option

Punch front(-s) or attach to: **L** – Leather Helmet  
**P** – Plastic Helmet or **K** – Mini Front Key Chain  
**V** – Hook and Loop Attachment (for 4" fronts only)  
**N** – No holes needed

#### 4. Front Material

**L** – Genuine Leather  
**P** – High-Gloss Patent Leather

#### 5. Front Color Option

Choose one color: **B** – Black, **W** – White,  
**R** – Red, **Y** – Yellow, **O** – Orange, **C** – Blue,  
**G** – Green, **N** – Natural/Brown or **K** – Gold (patent only)

#### 6. Insert Color Option

Choose one color: **B** – Black, **W** – White,  
**R** – Red, **Y** – Yellow, **O** – Orange, **C** – Blue,  
**G** – Green, **N** – Natural/Brown or **K** – Gold (patent only)

#### 7. Panel Color Option

Choose one color: **B** – Black, **W** – White,  
**R** – Red, **Y** – Yellow, **O** – Orange, **C** – Blue, **G** – Green,  
**K** – Gold or **S** – Reflective White Scotchlite™

#### 8. Panel Text Color Option

Choose one color: **B** – Black, **W** – White,  
**R** – Red, **Y** – Yellow, **O** – Orange, **C** – Blue, **G** – Green,  
**K** – Gold or **S** – Reflective White Scotchlite™ or **N** – No printed text

#### 9. Graphic Option

For attached graphics (AG):

**S** – Sunken Numbers (not available on 4" or Passport fronts)  
**R** – Raised Sewn Numbers (not available on Passport inserts)  
**K** – 14K Gold Badge, **C** – Chrome Badge or **T** – Tin Emblem  
**F** – Fleur-de-lis (same as panel color) or **D** – Graphic Decal

For printed graphics (PG):

**P** – Printed Numbers, **G** – Printed Graphics  
or **N** – No Graphics

#### 10. Color of Large Centered Numbers

Size determined by style chosen (not available on gold leaf)  
Choose one color: **B** – Black, **W** – White, **R** – Red,  
**Y** – Yellow, **O** – Orange, **C** – Blue, **G** – Green, **K** – Gold,  
**S** – Reflective White Scotchlite™ or **N** – No numbers

#### 11. Graphic Ornament Option

Enter choice from **A** to **R**.

#### 12. Text Font

Choose one text style:

<b>A</b> FULL BLOCK ACCT.	<b>F</b> CASLON ADBOLD
<b>B</b> RAPHAEL ACCT.	<b>G</b> DEMIAN BOLD ACCT.
<b>C</b> ALPHA MEDIUM	<b>H</b> ACADEMY ENGRAVED
<b>D</b> COPPER GOTHIC	<b>I</b> BREEZE SCRIPT
<b>E</b> GOUDY BOLD ACCT.	<b>J</b> CLARENDON MEDIUM

#### 13. Text

Fill in the appropriate lines of text for your front style up to 14 characters per line. Spaces and punctuation marks each count as one character. Include centered numbers as one line (4 for 6" and 8" fronts; 3 for 4"). Fill in top to bottom.

### Standard Fronts

Line 1	<input type="text"/>	<input type="text"/>	<input type="text"/>	<input type="text"/>	<input type="text"/>	<input type="text"/>	<input type="text"/>	<input type="text"/>	<input type="text"/>	<input type="text"/>	<input type="text"/>	<input type="text"/>	<input type="text"/>	<input type="text"/>	<input type="text"/>	<input type="text"/>	<input type="text"/>	<input type="text"/>	<input type="text"/>
Line 2	<input type="text"/>	<input type="text"/>	<input type="text"/>	<input type="text"/>	<input type="text"/>	<input type="text"/>	<input type="text"/>	<input type="text"/>	<input type="text"/>	<input type="text"/>	<input type="text"/>	<input type="text"/>	<input type="text"/>	<input type="text"/>	<input type="text"/>	<input type="text"/>	<input type="text"/>	<input type="text"/>	<input type="text"/>
Line 3	<input type="text"/>	<input type="text"/>	<input type="text"/>	<input type="text"/>	<input type="text"/>	<input type="text"/>	<input type="text"/>	<input type="text"/>	<input type="text"/>	<input type="text"/>	<input type="text"/>	<input type="text"/>	<input type="text"/>	<input type="text"/>	<input type="text"/>	<input type="text"/>	<input type="text"/>	<input type="text"/>	<input type="text"/>
Line 4	<input type="text"/>	<input type="text"/>	<input type="text"/>	<input type="text"/>	<input type="text"/>	<input type="text"/>	<input type="text"/>	<input type="text"/>	<input type="text"/>	<input type="text"/>	<input type="text"/>	<input type="text"/>	<input type="text"/>	<input type="text"/>	<input type="text"/>	<input type="text"/>	<input type="text"/>	<input type="text"/>	<input type="text"/>



# Printed Gold Fronts

## Ordering Instructions

Please copy and complete a separate form for each type of printed gold front ordered. Give the completed form(s) to your sales representative or fax them to 800-967-0398.

Fronts other than those that can be ordered given the choices below are considered custom fronts. To discuss your custom artwork or logo application needs, please call 1-877-MSA-FIRE or speak with your sales representative.

<b>Company:</b>	
<b>Contact:</b>	
<b>Phone:</b>	
<b>PO #:</b>	
	<i>For office use only below this line</i>
<b>SO#:</b>	
<b>Shop #:</b>	

## Printed Gold Fronts

Enter your choices in the boxes to the right of each section.

<b>Total Quantity:</b>	
------------------------	--

**1. Style Option**

Enter style number from **70** to **83**.

**2. Shipping Option**

**L** – Loose or **A** – Attached

**3. Attachment Option**

Punch front(-s) or attach to: **L** – Leather Helmet  
**P** – Plastic Helmet or **K** – Mini Front Key Chain  
**V** – Hook and Loop Attachment (for 4" fronts only)  
**N** – No holes needed  
**G** – Giant Size (for decoration only)

**4. Artwork Option**

Choose from: **B** – Banners, **F** – Flaming Scrolls, **S** – Regular Scrolls, **A** – Upward Arch (for 4" fronts only)  
**T** – No text art (for 6" fronts only)

**5. Graphic Option**

Enter style letters from **GA** to **GI**.

**6. Front Material**

Choose from: **GSS** – Gold Satin, **GET** – Gold Engine Turned or **WHT** – White

**7. Text**

Fill in the appropriate lines of text for your front style up to 14 characters per line.  
 Spaces and punctuation marks each count as one character. Fill in top to bottom.

Printed Gold Fronts													
Line 1	<input style="width: 25px; height: 15px;" type="text"/>	<input style="width: 25px; height: 15px;" type="text"/>	<input style="width: 25px; height: 15px;" type="text"/>	<input style="width: 25px; height: 15px;" type="text"/>	<input style="width: 25px; height: 15px;" type="text"/>	<input style="width: 25px; height: 15px;" type="text"/>	<input style="width: 25px; height: 15px;" type="text"/>	<input style="width: 25px; height: 15px;" type="text"/>	<input style="width: 25px; height: 15px;" type="text"/>	<input style="width: 25px; height: 15px;" type="text"/>	<input style="width: 25px; height: 15px;" type="text"/>	<input style="width: 25px; height: 15px;" type="text"/>	<input style="width: 25px; height: 15px;" type="text"/>
Line 2	<input style="width: 25px; height: 15px;" type="text"/>	<input style="width: 25px; height: 15px;" type="text"/>	<input style="width: 25px; height: 15px;" type="text"/>	<input style="width: 25px; height: 15px;" type="text"/>	<input style="width: 25px; height: 15px;" type="text"/>	<input style="width: 25px; height: 15px;" type="text"/>	<input style="width: 25px; height: 15px;" type="text"/>	<input style="width: 25px; height: 15px;" type="text"/>	<input style="width: 25px; height: 15px;" type="text"/>	<input style="width: 25px; height: 15px;" type="text"/>	<input style="width: 25px; height: 15px;" type="text"/>	<input style="width: 25px; height: 15px;" type="text"/>	<input style="width: 25px; height: 15px;" type="text"/>
Line 3	<input style="width: 25px; height: 15px;" type="text"/>	<input style="width: 25px; height: 15px;" type="text"/>	<input style="width: 25px; height: 15px;" type="text"/>	<input style="width: 25px; height: 15px;" type="text"/>	<input style="width: 25px; height: 15px;" type="text"/>	<input style="width: 25px; height: 15px;" type="text"/>	<input style="width: 25px; height: 15px;" type="text"/>	<input style="width: 25px; height: 15px;" type="text"/>	<input style="width: 25px; height: 15px;" type="text"/>	<input style="width: 25px; height: 15px;" type="text"/>	<input style="width: 25px; height: 15px;" type="text"/>	<input style="width: 25px; height: 15px;" type="text"/>	<input style="width: 25px; height: 15px;" type="text"/>
Line 4	<input style="width: 25px; height: 15px;" type="text"/>	<input style="width: 25px; height: 15px;" type="text"/>	<input style="width: 25px; height: 15px;" type="text"/>	<input style="width: 25px; height: 15px;" type="text"/>	<input style="width: 25px; height: 15px;" type="text"/>	<input style="width: 25px; height: 15px;" type="text"/>	<input style="width: 25px; height: 15px;" type="text"/>	<input style="width: 25px; height: 15px;" type="text"/>	<input style="width: 25px; height: 15px;" type="text"/>	<input style="width: 25px; height: 15px;" type="text"/>	<input style="width: 25px; height: 15px;" type="text"/>	<input style="width: 25px; height: 15px;" type="text"/>	<input style="width: 25px; height: 15px;" type="text"/>



## STRIPING/ACCOUNTABILITY

### Reflective Striping



stripe



small stripe and tetrabar



large and small diamonds



tetrahedron



tetrahedron w/silver bar

P/N	Color	Description	Used On
RP16Y	Reflexite, lime/yellow	16 1x4" stripes per sheet	Modern-660C & 664
RP16R*	Reflexite, red/orange	16 1x4" stripes per sheet	Modern-660C & 664
SP16YP	Scotchlite, lime/yellow	16 1x4" stripes per sheet	Modern-660C & 664
SP16RP	Scotchlite, red/orange	16 1x4" stripes per sheet	Modern-660C & 664
RP17Y	Reflexite, lime/yellow	12 1x4" tetrabars & 8 small stripes per sheet	Rescue-HP3 & all 360 series
RP17R*	Reflexite, red/orange	12 1x4" tetrabars & 8 small stripes per sheet	Rescue-HP3 & all 360 series
SP17YP	Scotchlite, lime/yellow	12 1x4" tetrabars & 8 small stripes per sheet	Rescue-HP3 & all 360 series
SP17RP	Scotchlite, red/orange	12 1x4" tetrabars & 8 small stripes per sheet	Rescue-HP3 & all 360 series
RP12Y	Reflexite, lime/yellow	12 large diamonds & 2 small diamonds per sheet	990 Only
RP12R*	Reflexite, red/orange	12 large diamonds & 2 small diamonds per sheet	990 Only
SP12YP	Scotchlite, lime/yellow	12 large diamonds & 2 small diamonds per sheet	990 Only
RP20Y	Reflexite, lime/yellow	20 tetrahedrons per sheet	Traditional-Leather,1010,1044,1000 & 880
RP20R*	Reflexite, red/orange	20 tetrahedrons per sheet	Traditional-Leather,1010,1044,1000 & 880
SP20YP	Scotchlite, lime/yellow	20 tetrahedrons per sheet	Traditional-Leather,1010,1044,1000 & 880
SP20RP	Scotchlite, red/orange	20 tetrahedrons per sheet	Traditional-Leather,1010,1044,1000 & 880
10062656	Reflexite, lime/yellow	8 tetrahedrons w/silver bar in center per sheet	Traditional-Leather,1010,1044,1000 & 880
10062655*	Reflexite, red/orange	8 tetrahedrons w/silver bar in center per sheet	Traditional-Leather,1010,1044,1000 & 880
RP100Y	Reflexite, lime/yellow	1" numbers <i>each reflective number has a different P/N, call for number</i>	All Cairns Helmets
RP100R*	Reflexite, red/orange	1" numbers <i>each reflective number has a different P/N, call for number</i>	All Cairns Helmets
SP100Y	Scotchlite, lime/yellow	1" numbers <i>each reflective number has a different P/N, call for number</i>	All Cairns Helmets
SP100R	Scotchlite, red/orange	1" numbers <i>each reflective number has a different P/N, call for number</i>	All Cairns Helmets
RP200Y	Reflexite, lime/yellow	2" numbers <i>each reflective number has a different P/N, call for number</i>	All Cairns Helmets
RP200R*	Reflexite, red/orange	2" numbers <i>each reflective number has a different P/N, call for number</i>	All Cairns Helmets
SP200Y	Scotchlite, lime/yellow	2" numbers <i>each reflective number has a different P/N, call for number</i>	All Cairns Helmets
SP200R	Scotchlite, red/orange	2" numbers <i>each reflective number has a different P/N, call for number</i>	All Cairns Helmets

Note: Blue and white reflective striping (non-NFPA compliant) available in select styles. Call MSA Customer Service for more information.

\* Non-NFPA compliant

### Helmet Accountability (Numerical)



#AS006 1¾" x 2½"



#AS007 3½" x 1¾"

Simple numerical identification inserts made of **high temperature**, fire-resistant hook-and-loop that is NFPA compliant. These easy-to-place and -remove numbers come in all front colors or in white reflective Scotchlite and in two sizes as shown. Contact MSA Fire Service Customer Service for additional information.

## EYE PROTECTION

NFPA Eye Protection is certified as a component on all NFPA-compliant Cairns Helmets. Cairns' NFPA Goggles and Faceshields offer the following features and benefits:

- High-temperature materials.
- Flame-retardant.
- Easy donning and doffing while wearing gloves.
- Ballistic-grade lens protects against impacts.
- Anti-fog coating on both sides of the lens to ensure visibility.
- Superior anti-scratch coating on both sides of the lens for a longer life.
- Easy lens replacement.

### Faceshields

Cairns 4" Tuffshield



Cairns 4" Standard Faceshield



The Cairns 4" Tuffshield, offering superior thermal and scratch resistance, is standard on all Traditional and all Deluxe Configuration Helmets. (ASTM-D648 melting temperature is 345°F.) The Cairns 4" Standard Faceshield is standard on all Modern Helmets. (ASTM-D648 melting temperature is 325°F.)

All Cairns faceshields come supplied with wing protectors for extra face protection. Wing protectors are made of the same fire-proven material found in Cairns' faceshield hardware to provide additional strength at high temperatures.

#### NFPA 1971-2007 compliant Faceshield for all Cairns Helmets

10071006 4" Tuffshield, with Wing Protectors

#### NFPA 1971-2007 compliant Faceshields for Modern Helmets only

10037315 4" Standard Faceshield with Wing Protectors  
S806CP 6" Standard Faceshield with Wing Protectors

### Defender® Visors



Amber Tuffshield



Clear



Mirrored\*



Smoke\*

Defender Visors offer eye protection from dust, dirt, and grit; their exclusive integral design is retractable for the ultimate in compact convenience. Sleek and attractive construction allows fast, easy raising and lowering of the visor even with gloved hands. Standard clear and amber Tuffshield visor options are NFPA-compliant.



Defender Visor in deployed position



Defender Visor in stowed position

#### Defender Lens Assemblies

10077117 Clear Replacement Defender Visor Lens  
10077118 Amber Tuffshield Replacement Defender Visor Lens  
10077119 Smoke Replacement Defender Visor Lens\*  
10077120 Mirrored Replacement Defender Visor Lens\*

\* Non NFPA-compliant

### Goggles

#### Cairns ESS Firefighters Goggles

MSA's ESS/Innerzone series of NFPA-compliant firefighters' goggles are certified by an independent test lab to meet the performance requirements of the NFPA Standard 1971-2007, including the test for exposure to 500° F for 5 minutes. We offer four styles of ESS goggles (differentiated by attachment system):



The **Cairns ESS Goggle System** has a wrap-around strap that attaches to the back of the helmet with a D-Ring fastener.



The **Innerzone 1** model attaches to structural helmets. A unique two-piece strap and mounting bracket system interfaces with all structural helmets.



The **Innerzone 2** model has a snap-on/snap-off attachment to structural helmets. The low-profile post design works with all structural firefighting helmets.



The **Innerzone 3** Goggle has a wrap-around strap that attaches to the back of the helmet with two adhesive-backed hook & loop tabs.

#### Cairns ESS Firefighters Goggles

S550P	Cairns ESS Goggle
S555P	Cairns ESS Goggle Tear Off Lens Covers (6 pack)
S556P	Cairns ESS Goggle Replacement Lens
S953P	Goggle Hardware Assembly (Strap Retaining Tabs)
S548P	ESS Innerzone1 and Hardware
10029701	Innerzone1 Hardware only
S549P	ESS Innerzone2 and Hardware
10029700	Innerzone 2 Hardware only (Old Style)
10032882	ESS Innerzone 3
10059814	ESS 1 and 2 Replacement Strap Kit
10059535	Cairns ESS Stealth Sleeve
10064534	Cairns ESS Replacement Strap Kit
10052896	Innerzone 2 Low Profile
10101681	Goggle System & Hardware (for 360-R & 360-R 13)
10101682	Cairns ESS Goggle Replacement



## ACCESSORIES/COMMUNICATION

### Bourkes\*



Use for cosmetic purposes only. Provides no eye or face protection.

#### Bourkes

S10KP	Bourkes, with mounting hardware
S10K	Bourkes, less mounting hardware

\* Non NFPA-compliant

### Crash Fire Rescue (CFR) Proximity System

- Easy to don and doff, this CFR System is compliant with NFPA 1971-2007
- Will not interfere with the SCBA while in use
- Components consist of an aluminized PBI/Kevlar layer, vapor barrier and inner layer

#### CFR Proximity System Consists Of:

10041993	Bonnet for 660C and 664
10041992	Bonnet for 1010 and 1044
10041994	Shroud for all helmets listed above
S606GP	6" gold-coated faceshield



### ClearCommand® HCS Helmet Communication System

The ClearCommand Helmet Communication System from MSA is a state-of-the-art radio interface device which significantly improves the user's ability to receive and send messages even in loud ambient-noise environments. For more complete information, see Bulletin 3639-01-MC.

#### Features & Benefits

- Incorporates a "noise-eliminating" bone-conduction voice transmitter that virtually eliminates high ambient noise levels.
- Easily snaps onto the ratchet suspension of fire helmets or industrial-style helmets (Wildland). The unit can be easily transferred to other users, and no tools are required for removal or installation.
- Can be used over the top of facepiece head harnesses, hoods and liners without losing the quality of the transmission.
- Special connectors suitable for most common radios are available for the lapel microphone and PTT, which allows users to adapt the system to their existing radios.
- The helmet mic is NFPA-certified which allows its use while fighting fires.
- Intrinsic safety approvals allow the use of the helmet communication system in hazardous environments.

#### Helmet Microphone Assembly

10042902	Helmet Microphone Assembly (includes Custom Fitted Flannel Headband Liner)
----------	--

#### Kits for Radio Interface\*

Lapel Mics	Stand-Alone PTT	Radio Brand	Radio Model
10042907	10045666	GE Ericsson	MRK, PRISM, LPE-200, Ericsson PK1ZGT, LPE50
10042906	10045665	GE Ericsson	PCS, PC2005
10042908	10045667	Maxon	PC-50;SP100; SP120; SP130;SP140, Alan HP125/425
10042903	10045662	Motorola	HT1000; JT1000; MT2000 MTX838; MTS2000; MTX2000/8000/9000 Transcript Stealth, MTX, GP900, XTS1500, XTS2500, XTS3000, XTS3500, XTS5000, XTS5000R, PTX1200, PTX3600, PR1500
10042905	10045664	Motorola	RADIUS GP300/P1225; GTX; GTX8250; P110; SP10/50; SPIRIT-111, SP21, AP-73 (ASIAN RADIO), GP-88 (ASIAN RADIO), LTS 2000, GP63, GP68, PRO2150, PRO3150, CT150, CT250, CT250LS, CT450, CT450LS, MTX638 (ASIA & AUSTRALIA) GP-08, GP2000, CP200, CP300, CP150, PR400, EP450
10042904	10045663	Motorola	ASTRO; SABER, MX1000, MX2000, MX3000
10042920	10045669	Motorola	MX800; MX840, STX Series
10042909	10045668	Motorola	HT600, 800, 810, 820 ; MT1000; P200; MTX800/ 900 ; /900S, MTX800, MTX810, MTX820, MTX900

#### Parts and Accessories

10046087	Dust Cover
10046123	Guard Ring, Tall
10046122	Guard Ring, Short
10046089	Belt Clip Assy, Standard
10046120	Belt Clip Assy, Clothes Pin Type
10046121	O-Ring, Single Pin Connector
10045778	Flannel Head Band Liner



Communication system shown outside of earlap for illustration purposes only. For best protection and performance, earlap should be worn over the communication system.



Note: Lapel Mic and Stand-Alone PTT sold separately

## GIFTS FOR THE FIREFIGHTER



### Mini Leather Helmets

Fronts ordered separately (see below)

G101	Mini Leather Helmet, natural color
G101-0001	Mini Leather Helmet, black
G101-0002	Mini Leather Helmet, white
G101-0003	Mini Leather Helmet, yellow
G101-0004	Mini Leather Helmet, red



### Mini Fronts/Mini Front Keychains

These styles must be ordered through the MSA Fronts ATO, either as a front or a keychain. Graphics may be added to Styles #39PG and #40AG.

Style #39PG	1 panel on top
Style #40AG	Panels on top and bottom
Style #41	3 panels only, no graphics

### Leather Presentation Helmets

G5A	Leather Presentation Helmet, 6-inch front holder, cushioner liner (M-L)
G64	Comb Leather Presentation Helmet, 8-inch front holder, cushioner liner

### 880 Presentation Helmets

10052925	880 Presentation Helmet, black with 6-inch eagle
10052926	880 Presentation Helmet, blue with 6-inch eagle
10052927	880 Presentation Helmet, orange with 6-inch eagle
10052928	880 Presentation Helmet, red with 6-inch eagle
10052929	880 Presentation Helmet, white with 6-inch eagle
10052930	880 Presentation Helmet, yellow with 6-inch eagle
10052931	880 Presentation Helmet, black with 6-inch Maltese cross
10052932	880 Presentation Helmet, blue with 6-inch Maltese cross
10052933	880 Presentation Helmet, orange with 6-inch Maltese cross
10052934	880 Presentation Helmet, red with 6-inch Maltese cross
10052935	880 Presentation Helmet, white with 6-inch Maltese cross
10052936	880 Presentation Helmet, yellow with 6-inch Maltese cross

### Decals and Carrying Bag

10063597	Leather Forever decal
10059591	Cairns window decal
10059084	Cairns soft carrying bag (holds four helmets)

Note: This Bulletin contains only a general description of the products shown. While uses and performance capabilities are described, under no circumstances shall the products be used by untrained or unqualified individuals and not until the product instructions including any warnings or cautions provided have been thoroughly read and understood. Only they contain the complete and detailed information concerning proper use and care of these products.



ID 3600-01-MC / Apr 2012  
© MSA 2012 Printed in U.S.A.

**MSA Corporate Center**  
1000 Cranberry Woods Drive  
Cranberry Township, PA 16066 USA  
Phone 724-776-8600  
[www.MSAsafety.com](http://www.MSAsafety.com)

**U.S. Customer Service Center**  
Phone 1-877-MSA-FIRE  
Fax 1-877-672-3930

**MSA Canada**  
Phone 1-800-672-2222  
Fax 1-877-672-3930

**MSA Mexico**  
Phone 01 800 672 7222  
Fax 52 - 44 2227 3943

**MSA International**  
Phone 724-776-8626  
Toll Free 1-800-672-7777  
Fax 724-741-1559

**Offices and representatives worldwide**  
For further information:



**MSA**  
The Safety Company